

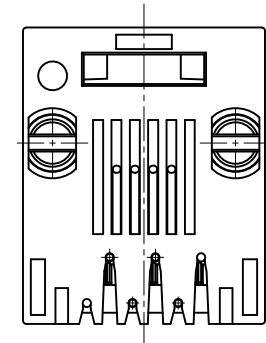
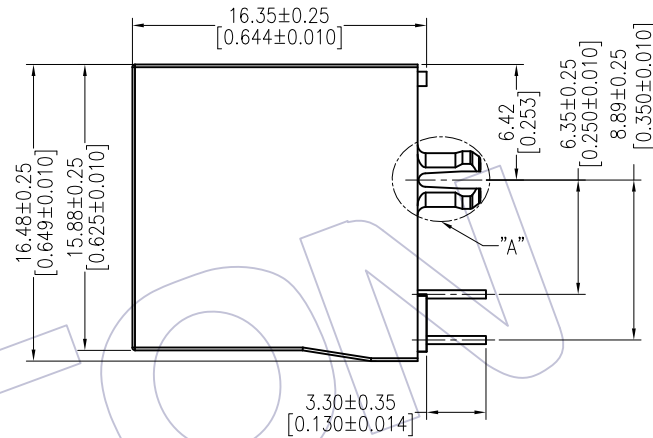
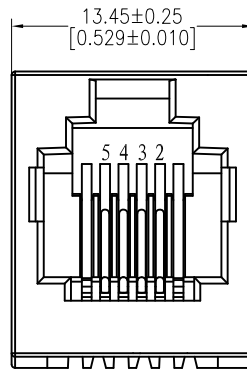
HSF

NOTES:

Rated Current:1.5AMP
 Rated Voltage:125 VAC RMS.
 Contact Resistance:20mΩ max
 Withstand Voltage:1000V DC/0.5mA For 1 minute.
 Insulation Resistance:500MΩ min At 500V DC

Contact Material:Phosphor Bronze,Ø0.46mm.
 Contact Plating:Au Over NICKEL
 Housing Material:PBT/PA46 UL 94V-0

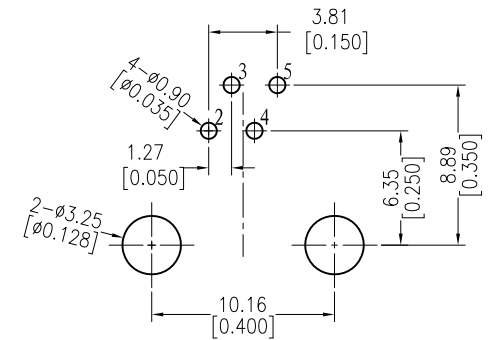
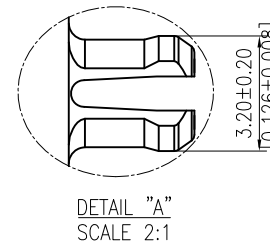
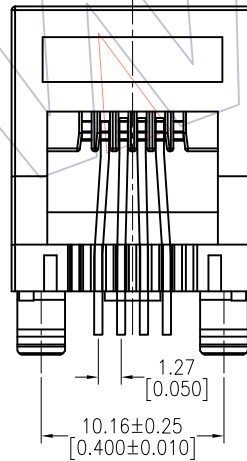
DURABILITY : 750 CYCLES MIN.
 OPERATION TEMPERATURE : -40°C~+70°C



Ordering Information

4541 -6P4C 1 S XX X X P A 2

- Ports
1=1 Port
- Contact Plating
G0=Gold Flash
G1=3u"Gold
G2=5u"Gold
G3=10u"Gold
G4=15u"Gold
G5=30u"Gold
- Housing Material
A=PBT
E=PA46
- Color
B=Black
G=Grey
Y=Yellow
- Packing
A=Tray



Recommended P.C.B Layout(TOP Side)
 (PCB BOARD TOLERANCE±0.05)

REV	DATE	MODIFICATION DESCRIPTION	CHANGE	OPERATION		DRAW	DATE	SCALE	FIT	PART NO.	TITLE:	WCON	
				X.X	±0.40							UNIT	mm
A0	2014/10/07	NEW		X.XX	±0.25	Allen	2014/10/07	UNIT	mm	4541-6P4C1SXXXXPA2	RJ11 6P4C L=16.35 180° DIP	Tel: +86 769 85358920	Tel: +86 512 57468408
				X.XXX	±0.15	CHECK	DATE	SIZE	A4		Single Row One Port Naught Light	Fax: +86 769 85358915	Fax: +86 512 57468468
				Angle	± 3'	APPROVE	DATE	SHEET	1/1	Customer NO.		E-mail: sales@wcon.com	E-mail: salesks@wcon.com
				DIM	TOL			PROJ.					

WCON

Http: www.wcon.com

WCON-Dongguan
 Tel: +86 769 85358920
 Fax: +86 769 85358915
 E-mail: sales@wcon.com

WCON-Kunshan
 Tel: +86 512 57468408
 Fax: +86 512 57468468
 E-mail: salesks@wcon.com