

# HSPF

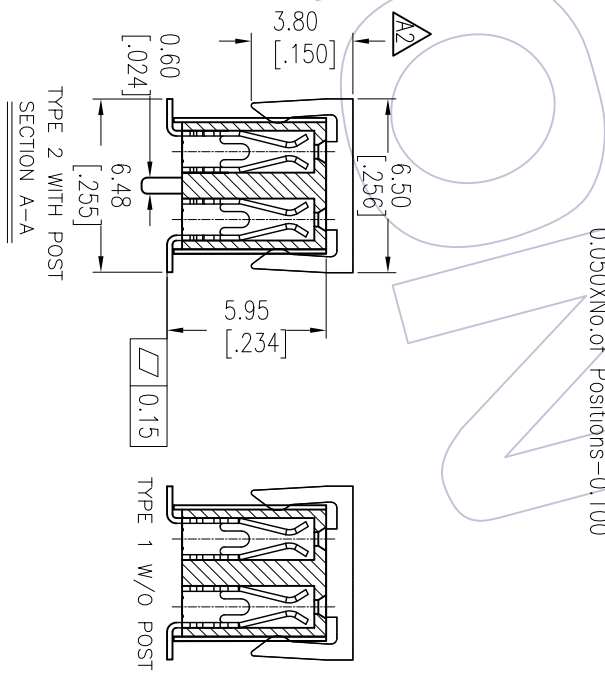
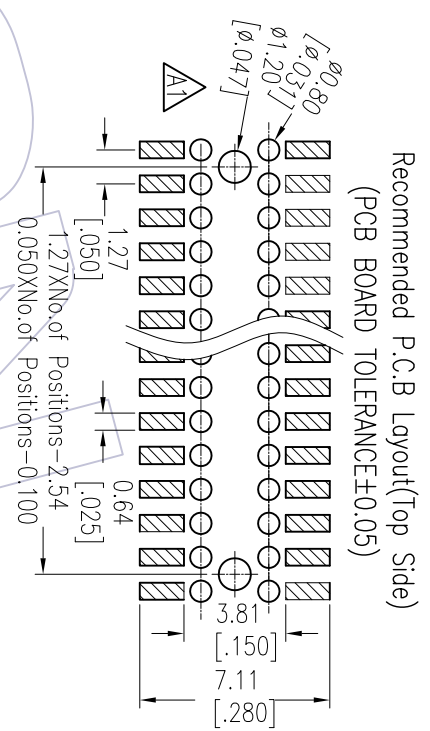
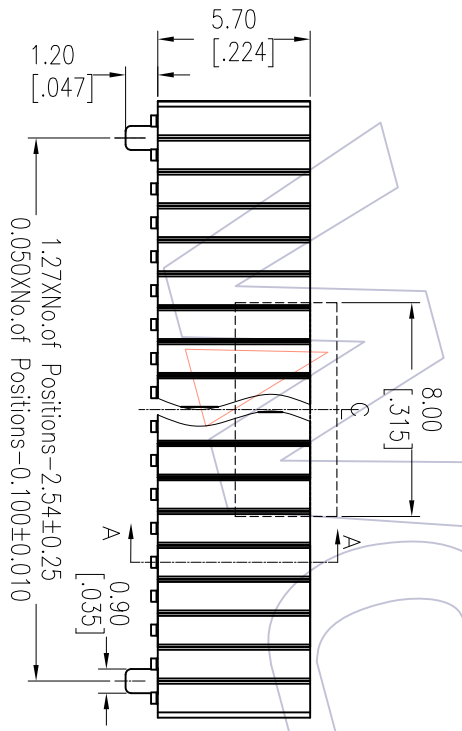
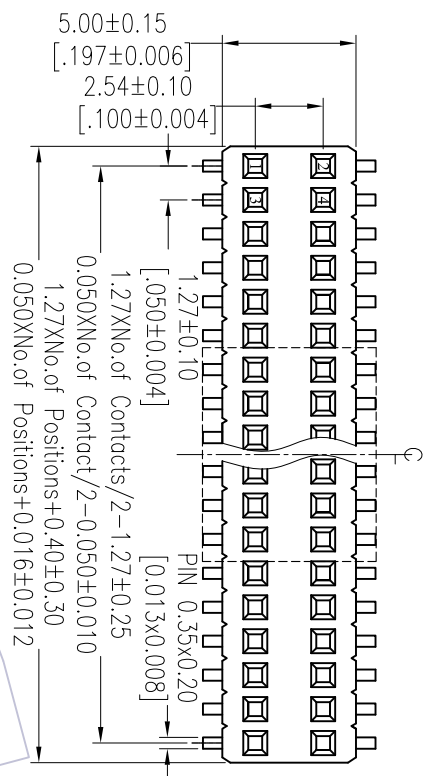
**NOTES:**

- Current Rating: 1.0AMP
- Contact Resistance: 20mΩ Max
- Withstand Voltage: 500V AC/DC
- Insulation Resistance: 1000MΩ Min
- Operation Temperature: -40°C to +105°C
- Contact Material: Phosphor Bronze
- Contact plating: Au Or Sn over Ni
- Insulator Material: PA9T+30%GF UL94V-0

## Ordering Information

2457-2 XX M XX CUN T X

- No. of Pins per Row: 02-50Pins
- Contact Plating:
  - GP=Gold Flash
  - G3=10μ Gold
  - G4=51μ Gold
  - G5=30μ Gold
  - SG=Gold Flash/Tin
  - S3=10μ Gold/Tin
  - S4=51μ Gold/Tin
  - S5=30μ Gold/Tin
  - SN=Tin
- Packaging:
  - T=Tray
  - P=Tube-CAP
  - R=Tray&Reel-CAP
- Series No.
  - 1=Type 1
  - 2=Type 2



Item	Pitch	Moding
Standard	1.27*2.54	1417/1425
Alternate		



TITLE	PART NO.
TYPE 1	2457-2XXMXXCUNT1
TYPE 2	2457-2XXMXXCUNT2

A2	2013/06/17	Modify CAP 4.30 → 3.80	OPERATION	DRAW	DATE	SCALE	FIT	PART NO.
A1	2012/11/09	Modified P.C.B Layout and the left table	X.XX ±0.40	Wrong	2013/06/17	mm		SEE TABLE
A0	2012/07/10	NEW	X.XXX ±0.15	CHECK	DATE	A4		TITLE: FH1.27X2.54 DUAL Row 180° SMT H=5.7
REV	DATE	MODIFICATION DESCRIPTION	Angle ± 3°	APPROVE	DATE	SHEET 1/1	PROJ.	Customer NO.
1			DIM TOL	CHANGE				

# WCON

Http: www.wcon.com

WCON-Dongguan  
Tel: +86 769 85358920  
Fax: +86 769 85358915  
E-mail: sales@wcon.com

WCON-Kunshan  
Tel: +86 512 57468408  
Fax: +86 512 57468468  
E-mail: sales@wcon.com