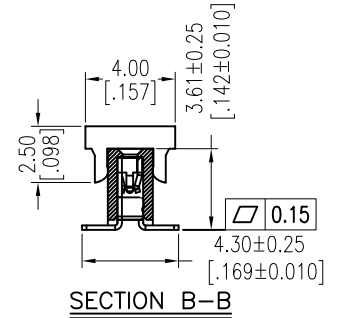
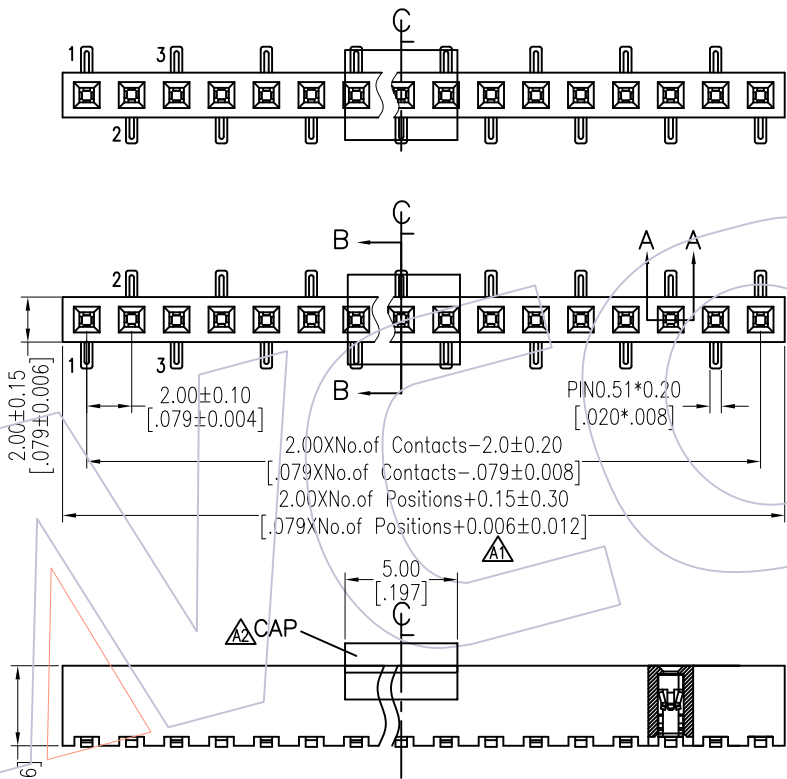
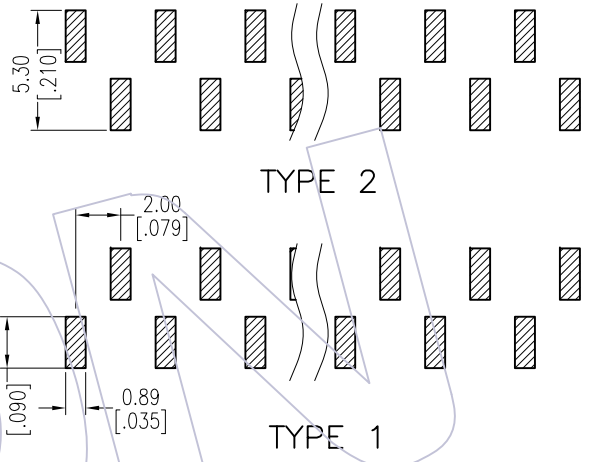


HSF

NOTES:
 Current Rating: 2.0AMP
 Contact Resistance: 20mΩ Max
 Withstand Voltage: 500V AC/DC
 Insulation Resistance: 1000MΩ Min
 Operation Temperature: -40°C to +105°C

Contact Material: Phosphor Bronze
 Contact plating: Au Or Sn over Ni
 Insulator Material: PA9T+33%GF UL94V-0

Recommended P.C.B Layout (Top Side)
 (PCB BOARD TOLERANCE ±0.05)



Ordering Information

2235-1 XX M XX CUN X X

- No. of Pins per Row: 02-40Pin
- Contact Plating:
 G0=Gold Flash
 G3=10μ"Gold
 G4=15μ"Gold
 G5=30μ"Gold
 S0=Gold Flash/Tin
 S3=10μ"Gold/Tin
 S4=15μ"Gold/Tin
 S5=30μ"Gold/Tin
 SN=Tin
 SM=Matte Tin
- Packing:
 T=Tube
 P=Tube+CAP
 R=Tape&Reel+CAP
- Series No.
 1=Type 1
 2=Type 2

Item	Pitch	Mating
Standard	2.00	1215/1220
Alternate		

TITLE	PART NO.
TYPE 1	2235-1XXMXXCUNX1
TYPE 2	2235-1XXMXXCUNX2

REV	DATE	MODIFICATION DESCRIPTION	CHANGE	OPERATION	DRAW	DATE	SCALE	FIT	PART NO.
A2	2017/07/12	2235-1XXMXXCUNTX → 2235-1XXMXXCUNXX ADD CAP	-----	x.X ±0.40	Surong Xu	2017/07/12	UNIT mm		SEE TABLE
A1	2013/06/21	Modify drawing	-----	x.XX ±0.25	CHECK	DATE	SIZE A4		TITLE: FH2.0mm SINGLE ROW 180°SMT H=3.56 W=2.0
A0	2012/07/12	NEW	-----	x.XXX ±0.15	APPROVE	DATE	SHEET 1/1		Customer NO.
				Angle ± 3'			PROJ.		
				DIM TOL					

WCON
 Http: www.wcon.com
 WCON-Dongguan WCON-Kunshan
 Tel: +86 769 85358920 Tel: +86 512 57468408
 Fax: +86 769 85358915 Fax: +86 512 57468468
 E-mail: sales@wcon.com E-mail: salesks@wcon.com