

HSF

NOTES:

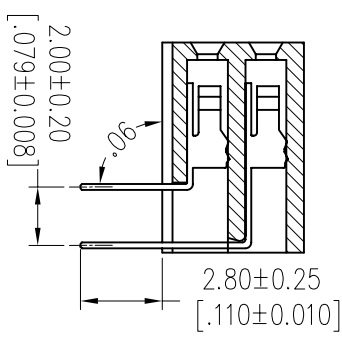
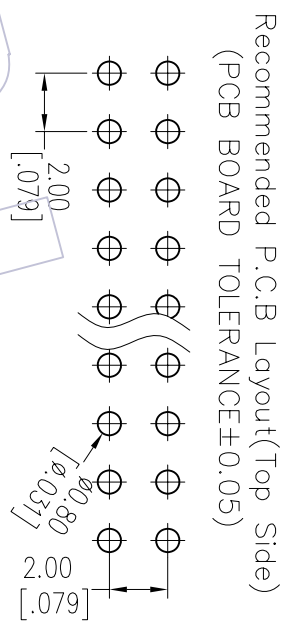
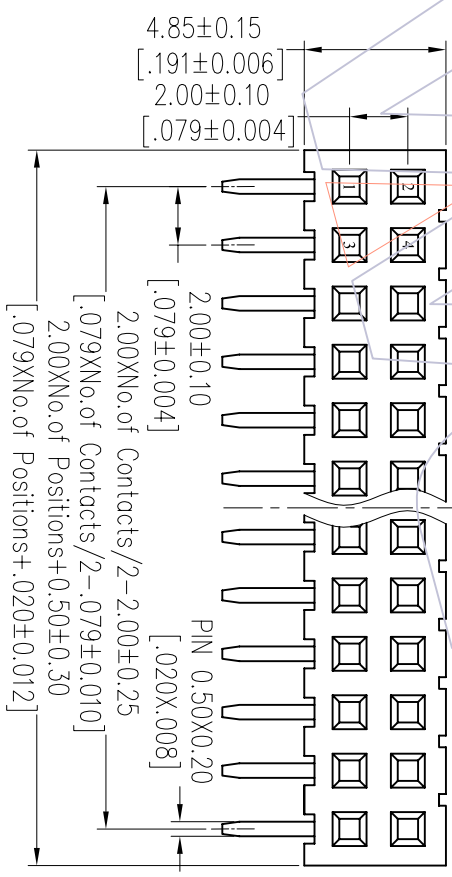
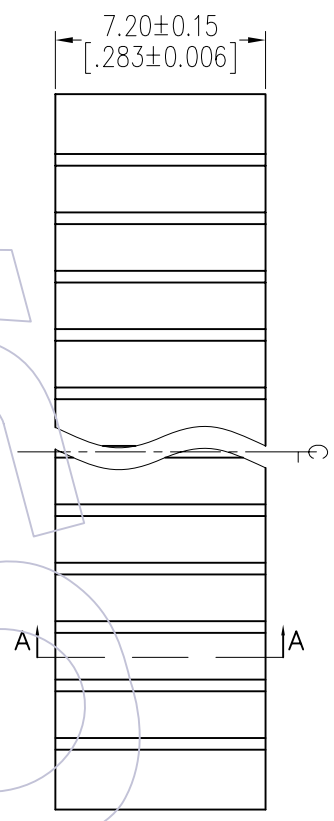
- Current Rating: 2.0AMP
- Contact Resistance: 20mΩ Max
- Withstand Voltage: 500V AC/DC
- Insulation Resistance: 1000MΩ Min
- Operation Temperature: -40°C to +105°C
- Contact Material: Phosphor Bronze
- Contact plating: Au Or Sn over Ni
- Insulator Material: PA9T+30%G.F UL94V-0

Ordering Information

2272 - 2 XX R XX CUNT 1

- No. of Pins per ROW: 42-PIN
- Contact Plating: G0=Gold Flash, G1=10μ"Gold, G2=15μ"Gold, G3=10μ"Gold, G4=15μ"Gold, G5=50μ"Gold, S0=Gold Flash/Tin, S1=10μ"Gold/Tin, S2=15μ"Gold/Tin, S3=10μ"Gold/Tin, S4=15μ"Gold/Tin, S5=50μ"Gold/Tin, SN=Tin, SM=Mate Tin
- Packing: T=Tube

Item	Pitch	Mating
Standard	2.00	1215/1220
Alternate		



OPERATION		DRAW		DATE		SCALE		PART NO.	
XX	±0.40	JYHuang		2012/07/19		mm		2272-2XXRXXCUNT1	
XX	±0.25	CHECK		DATE		A4		TITLE: FI12. 00mm DUAL ROW 90° DIP	
X.XXX	±0.15	Angle		DATE		1/1		Customer NO.	
APPROVE	± 3'	TOL		DATE		PROJ.			
CHANGE									
REV	DATE	MODIFICATION DESCRIPTION							
A0	2012/07/19	NEW							

WCON

Http: www.wcon.com
 WCON-Dongguan Tel: +86 769 85358920 Fax: +86 769 85358915 E-mail: sales@wcon.com
 WCON-Kunshan Tel: +86 512 57468408 Fax: +86 512 57468468 E-mail: sales@wcon.com