

HSF

NOTES:

Current Rating: 3.0AMP
 Contact Resistance: 20mΩ Max
 Withstand Voltage: 1000V AC/DC
 Insulation Resistance: 1000MΩ Min
 Operation Temperature: -40°C to +105°C

Contact Material: Phosphor Bronze
 Contact plating: Au Or Sn over Ni
 Insulator Material: PA9T+30%G.F UL94V-0

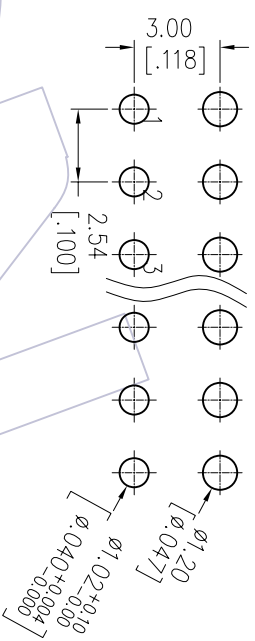
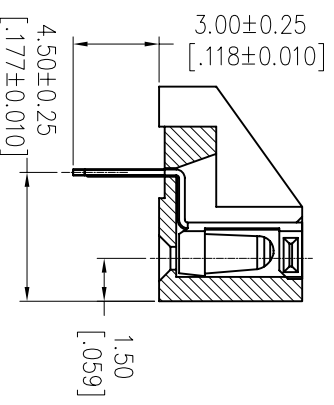
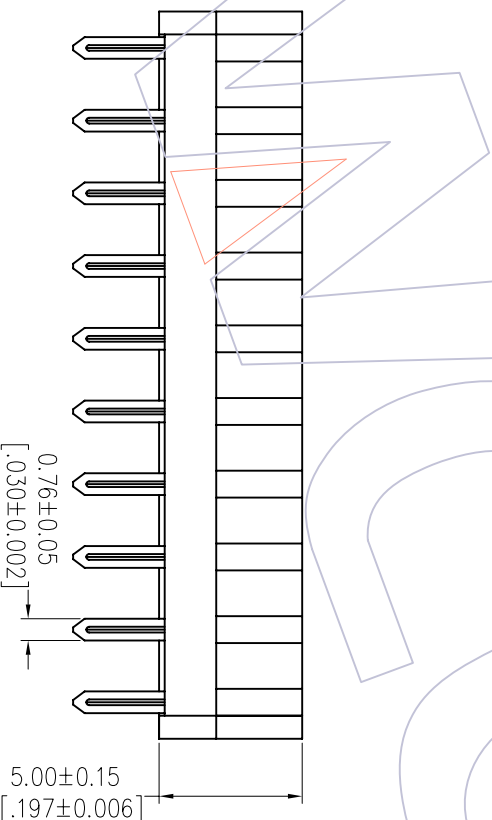
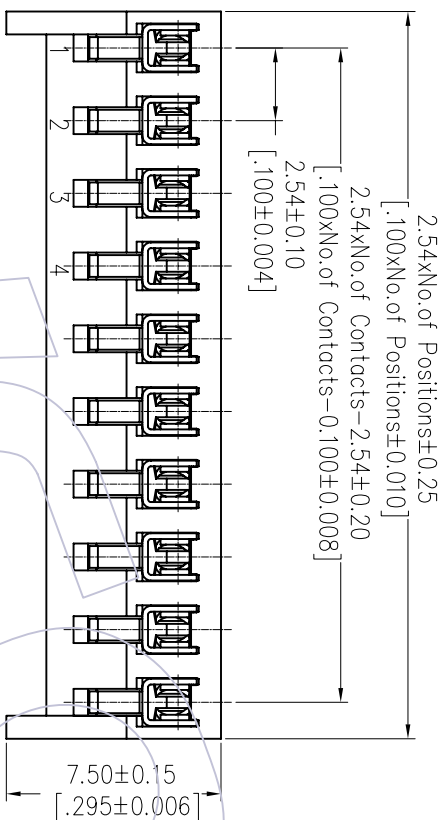
Ordering Information

2150T-1XX W XX CUNX1

No. of Pins per ROW:01~40Pin

Contact Plating:
 G0=Gold Flash
 G3=10μ"Gold
 G4=15μ"Gold
 G5=30μ"Gold
 S0=Gold Flash/Tin
 S3=10μ"Gold/Tin
 S4=15μ"Gold/Tin
 S5=30μ"Gold/Tin
 SN=Tin
 SW=Mate Tin

Item	Pitch	Mating
Standard	2.54	1115/1120/1125
Alternate		



Recommended P.C.B Layout (Top Side)
 (PCB BOARD TOLERANCE ±0.05)

REV	DATE	MODIFICATION DESCRIPTION	CHANGE	OPERATION	DRAW	DATE	SCALE	FIT	PART NO.	TITLE: FH2.54 Single Row Centipede Feet Top Enter H=5.0 Customer NO.	WCON-Dongguan Http: www.wcon.com WCON-Kunshan
A0	2012/08/06	NEW	---	XX	JYHuang	2012/08/06	mm	A4	2150T-1XXWXXCUNX1		
REV	DATE	MODIFICATION DESCRIPTION	CHANGE	Angle	CHECK	DATE	SIZE	SHEET	PROJ.	Tel: +86 769 85358920 Fax: +86 769 85358915 E-mail: sales@wcon.com	
				± 3'	APPROVE	DATE	1/1			Tel: +86 512 57468408 Fax: +86 512 57468468 E-mail: sales@wcon.com	

WCON