

# HSPF

## TECHNICAL SPECS:

Current Rating: 3.0AMP  
 Contact Resistance: 10mΩ Max  
 Dielectric Strength: Min 1000VRMS  
 Mechanical Life: Min 500 cycles  
 Mating Pin: Ø0.40 to Ø0.66mm or 0.50SQ  
 Forces: (polished steel gauge Ø0.47mm)  
 Insertion: 200g Max/Pin, Withdrawal: 60g/Pin  
 Operation Temperature: -40°C to +105°C

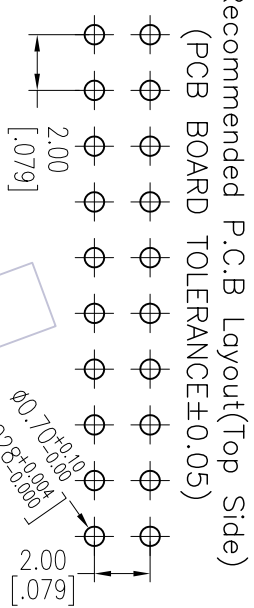
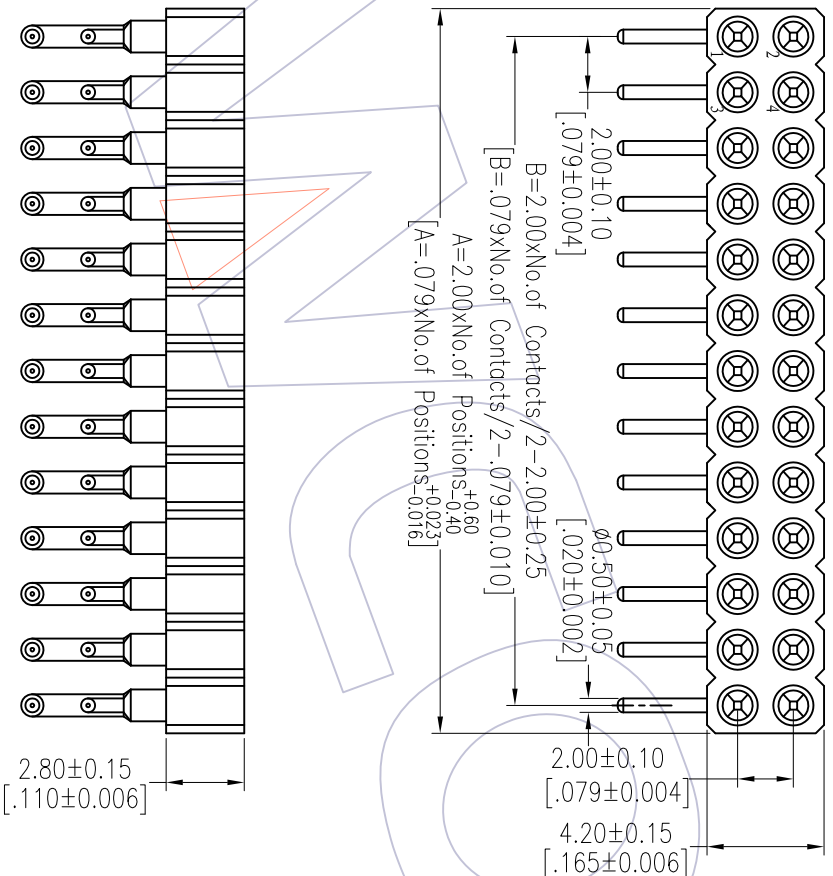
Sleeve: Brass CuZn36Pb3(C36000), Sn over Ni  
 Contact Clip (4 finger): BeCu(C17200), Au or Sn over Ni  
 Insulator Material: PPS+30%G.F.(UL94V-0)

## Ordering Information

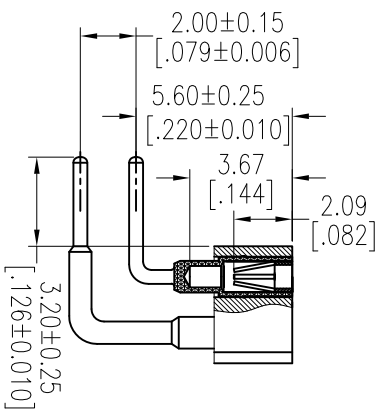
3522-282 XX R XX 096 X 1

No. of Pin: 2-40PIN  
 Contact Plating: S0=Gold Flash/Tin, S3=10u"Gold/Tin, S4=15u"Gold/Tin, S5=30u"Gold/Tin, SN=Tin  
 Packing: A=Tray, T=Tube

Item	Pitch	Mating
Standard	2.00	3512
Alternate		



NO. of PIN	DIM A
40PIN	2.0*NO. of Positions+1.00±0.40
<40PIN	2.0*NO. of Positions-0.60



REV	DATE	MODIFICATION DESCRIPTION
A1	2013/05/17	Modify drawing
A0	2012/10/17	NEW

OPERATION	DRAW	DATE	SCALE	FIT
XX	Wang	2013/05/17	UNIT	mm
XXX	CHECK	DATE	SIZE	A4
XXXX	±0.15	DATE	SHEET	1/1
Angle	± 3'	APPROVE	PROJ.	
DIM	TOL			

PART NO.	3522-282XXXXX096X1
TITLE:	2.00mm MACHINED FEMALE HEADER DUAL ROW 90° H=2.80 L=9.6
Customer NO.	

# WCON

WCON-Dongguan  
 Tel: +86 769 85358920  
 Fax: +86 769 85358915  
 E-mail: sales@wcon.com

WCON-Kunshan  
 Tel: +86 512 57468408  
 Fax: +86 512 57468468  
 E-mail: sales@wcon.com

Http: www.wcon.com