

HSF

TECHNICAL SPECS:

Current Rating: 3.0AMP
 Contact Resistance: 10m Ω Max
 Dielectric Strength: Min 1000Vrms
 Mechanical Life: Min 500 cycles
 Mating Pin: $\phi 0.7$ to $\phi 0.9$ mm or 0.6355SQ
 Forces: (polished steel gauge $\phi 0.76$ mm)
 Insertion: 150g Max/Pin, Withdrawal: 30g Min/Pin
 Operation Temperature: -40°C to +105°C

Sleeve: Brass CuZn36Pb3(C36000)
 Contact Clip(6 finger): BeCu(C17200)
 Insulator Material: PPS+30%G.F(UL94V-0)

Ordering Information

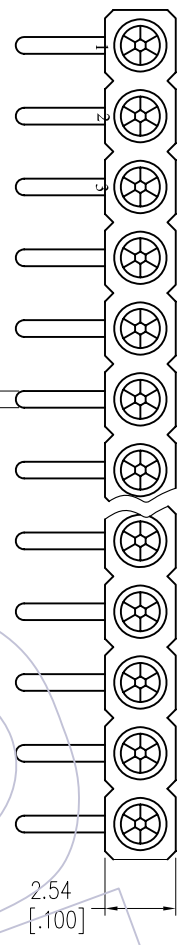
3521-701 XX R XX 124 X 1

No. of Pin
2-50PIN

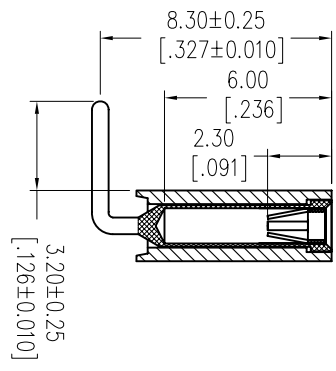
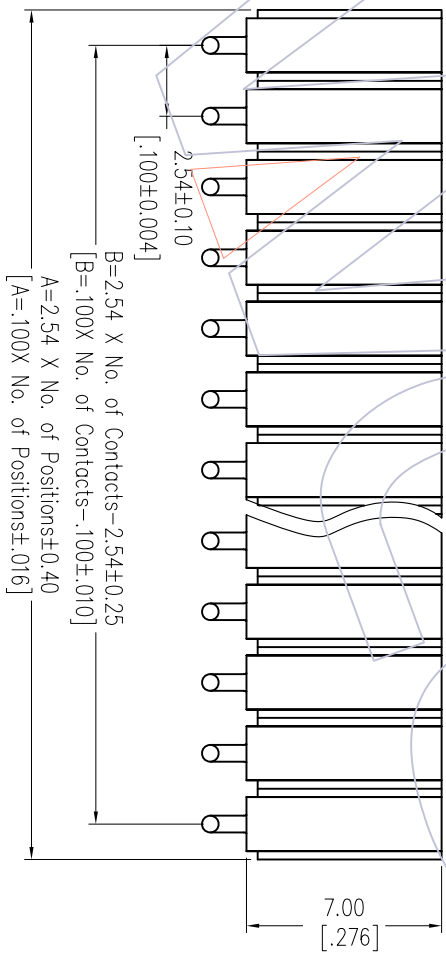
Contact Plating
 S0=Gold Flash/Tin
 S3=10u"Gold/Tin
 S4=15u"Gold/Tin
 S5=30u"Gold/Tin
 SN=Tin

Packing
 A=Tray
 T=Tube

Item	Pitch	Mating
Standard	2.54	3511
Alternate		



Recommended P.C.B Layout(Top Side)
 (PCB BOARD TOLERANCE±0.05)
 $\phi 1.00 \pm 0.039$
 2.54
 ± 0.100



REV	DATE	MODIFICATION DESCRIPTION
A0	2012/10/18	NEW

OPERATION	DRAW	DATE	SCALE	FIT	PART NO.
XX	JYHuang	2012/10/18	UNIT	mm	3521-701XXRXX124X1
XX	CHECK	DATE	SIZE	A4	TITLE:
XX	APPROVE	DATE	SHEET	1/1	2.54mm MACHINED FEMALE HEADER SINGLE ROW 90° H=7.00 L=12.43
Angle	± 3'		PROJ.		Customer NO.
DIM	TOL				

WCON

Http: www.wcon.com

WCON-Dongguan
 Tel: +86 769 85358920
 Fax: +86 769 85358915
 E-mail: sales@wcon.com

WCON-Kunshan
 Tel: +86 512 57468408
 Fax: +86 512 57468468
 E-mail: sales@wcon.com