

Specification

1. Current Rating: 1.5A/MP
2. Contact Resistance: 30mΩ max
3. Insulation Resistance: 1000MΩ min
4. Dielectric Withstanding Voltage: 500V R.M.S
5. Temperature Rating: -40℃ to +85℃

Mechanical Characteristics:

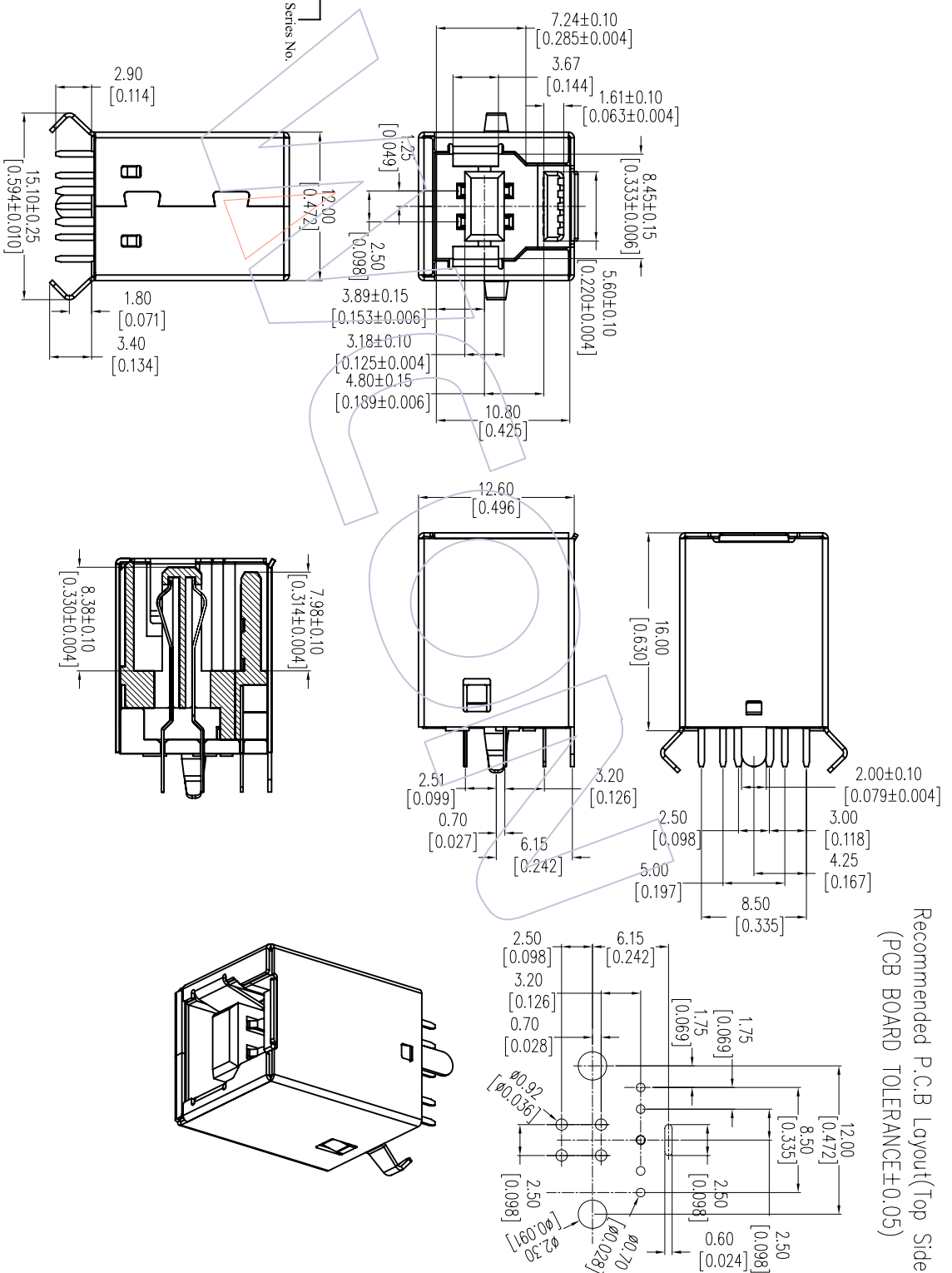
6. Mating Force: 3.57kg.min
7. Mating Force: 1.02kg.min
8. Durability: Mandatory: 5000 Cycles

Contact: Copper(T=0.20mm)
 Insulator: LCP+30%GF(Ul 94V-0)
 Shell: Brass(T=0.30mm)

Ordering Information

6112-09 B F S D XX UN A1

Contact Plating: S=Gold Flash/Tin, SI=3u"Gold/Tin, S2=5u"Gold/Tin, S3=10u"Gold/Tin, S4=15u"Gold/Tin, S5=30u"Gold/Tin
 Plating: B=Black, W=White, U=Blue, R=Red
 Packing: A=Tray
 Series No.



Recommended P.C.B Layout(Top Side)
 (PCB BOARD TOLERANCE±0.05)

REV		DATE	MODIFICATION DESCRIPTION		CHANGE	OPERATION	DRAW	DATE	SCALE	FIT	PART NO.	TITLE:	WCON-Dongguan Tel: +86 769 85358920 Fax: +86 769 85358915 E-mail: sales@wcon.com	WCON-Kunshun Tel: +86 512 57468408 Fax: +86 512 57468468 E-mail: sales@wcon.com
A0		2012/06/30	NEW			X.X X.XX X.XXX	JYHuang	2012/06/30	A4	1/1	6112-09BFSDXXXNA1	USB3. 0B-TYPE FEMALE 18.0° 壳高12.60, 弯脚DIP Customer NO.		
H						±0.40 ±0.25 ±0.15								
G						± 3°								
F														
E														
D														
C														
B														
A														



Http: www.wcon.com