

## Specification

1. Current Rating: 1.5AMP
2. Contact Resistance: 30mΩ max
3. Insulation Resistance: 1000MΩ min
4. Dielectric Withstanding Voltage: 500V R.M.S
5. Temperature Rating: -40°C to +85°C

## Mechanical Characteristics:

6. Mating Force: 3.57kg.min
7. Unmated Force: 0.8kg.min
8. Durability: Mandatory: 5000 Cycles

Contact: Phosphor Bronze (T=0.20mm)

Insulator: PA9T (UL 94V-0)

Shell: SUS201(T=0.30mm)

## Ordering Information

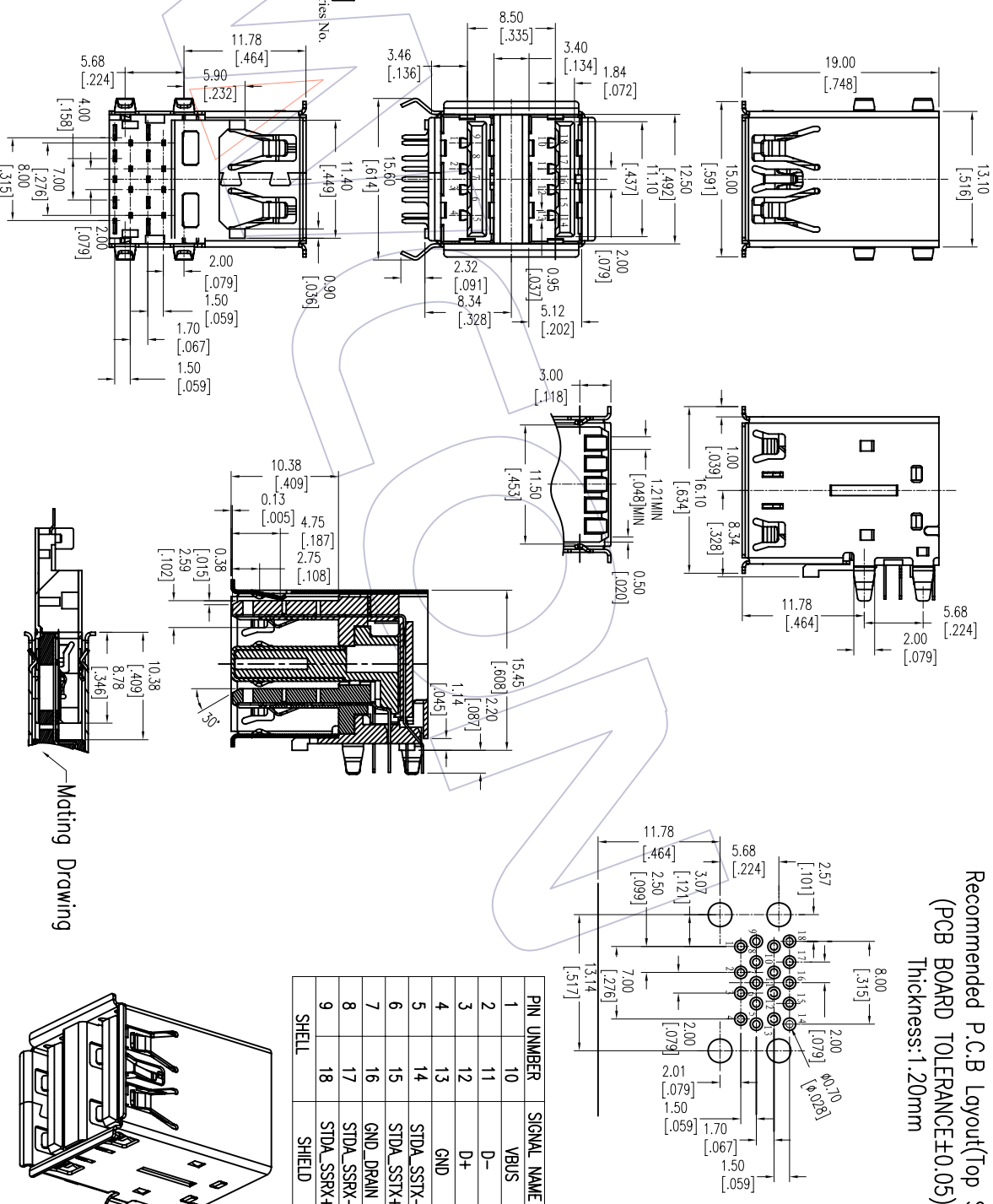
6113-18 AFRDXUN A1

Contact Plating  
 SO=Gold Flash/Tin  
 S1=3u"Gold/Tin  
 S2=5u"Gold/Tin  
 S3=10u"Gold/Tin  
 S4=15u"Gold/Tin  
 S5=30u"Gold/Tin

Plating  
 U=Blue

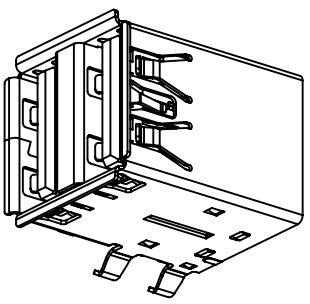
Packing:  
 A=Tray

Series No.



Recommended P.C.B Layout(Top Side)  
 (PCB BOARD TOLERANCE±0.05)  
 Thickness: 1.20mm

PIN NUMBER	SIGNAL NAME
1	10 VBUS
2	11 D-
3	12 D+
4	13 GND
5	14 STDA_SSTX-
6	15 STDA_SSTX+
7	16 GND DRAIN
8	17 STDA_SSRX-
9	18 STDA_SSRX+
	SHELL SHIELD



Http: www.wcon.com

WCON-Dongguan Tel: +86 769 85358920 WCON-Kunshan Tel: +86 512 57468408

Tel: +86 769 85358915 Fax: +86 512 57468468

E-mail: sales@wcon.com E-mail: sales@wcon.com

Customer NO.

OPERATION	SCALE	FIT	PART NO.
X.X	mm	A4	6113-18AFRDXUN A1
X.XX	mm	A4	
X.XXX	mm	1/1	

DATE	DATE	DATE	DATE
2012/07/04	2012/07/04		

APPROVE	DATE	DATE
Wang		

OPERATION	SCALE	FIT	PART NO.
X.X	mm	A4	6113-18AFRDXUN A1
X.XX	mm	A4	
X.XXX	mm	1/1	

DATE	DATE	DATE	DATE
2012/07/04	2012/07/04		

APPROVE	DATE	DATE
Wang		

OPERATION	SCALE	FIT	PART NO.
X.X	mm	A4	6113-18AFRDXUN A1
X.XX	mm	A4	
X.XXX	mm	1/1	

DATE	DATE	DATE	DATE
2012/07/04	2012/07/04		

APPROVE	DATE	DATE
Wang		

REV	DATE	MODIFICATION DESCRIPTION	CHANGE
A0	2012/07/04	NEW	

OPERATION	SCALE	FIT	PART NO.
X.X	mm	A4	6113-18AFRDXUN A1
X.XX	mm	A4	
X.XXX	mm	1/1	

DATE	DATE	DATE	DATE
2012/07/04	2012/07/04		

APPROVE	DATE	DATE
Wang		

OPERATION	SCALE	FIT	PART NO.
X.X	mm	A4	6113-18AFRDXUN A1
X.XX	mm	A4	
X.XXX	mm	1/1	

DATE	DATE	DATE	DATE
2012/07/04	2012/07/04		

APPROVE	DATE	DATE
Wang		

OPERATION	SCALE	FIT	PART NO.
X.X	mm	A4	6113-18AFRDXUN A1
X.XX	mm	A4	
X.XXX	mm	1/1	

DATE	DATE	DATE	DATE
2012/07/04	2012/07/04		

APPROVE	DATE	DATE
Wang		

OPERATION	SCALE	FIT	PART NO.
X.X	mm	A4	6113-18AFRDXUN A1
X.XX	mm	A4	
X.XXX	mm	1/1	

DATE	DATE	DATE	DATE
2012/07/04	2012/07/04		

APPROVE	DATE	DATE
Wang		

OPERATION	SCALE	FIT	PART NO.
X.X	mm	A4	6113-18AFRDXUN A1
X.XX	mm	A4	
X.XXX	mm	1/1	

DATE	DATE	DATE	DATE
2012/07/04	2012/07/04		

APPROVE	DATE	DATE
Wang		

OPERATION	SCALE	FIT	PART NO.
X.X	mm	A4	6113-18AFRDXUN A1
X.XX	mm	A4	
X.XXX	mm	1/1	

DATE	DATE	DATE	DATE
2012/07/04	2012/07/04		

APPROVE	DATE	DATE
Wang		

OPERATION	SCALE	FIT	PART NO.
X.X	mm	A4	6113-18AFRDXUN A1
X.XX	mm	A4	
X.XXX	mm	1/1	

DATE	DATE	DATE	DATE
2012/07/04	2012/07/04		

APPROVE	DATE	DATE
Wang		