

# HSF

## Specification

1. Current Rating: 1.5AMP at 250V AC  
Voltage rating: 30V
2. Contact Resistance: 30mΩ max
3. Insulation Resistance: 1000MΩ min
4. Dielectric Withstanding Voltage: 500V AC
5. Temperature Rating: -20°C to +60°C
6. Mechanical Characteristics:  
insertion Force: 35 Newtons maximum  
Extraction Force: 10 newtons minimum

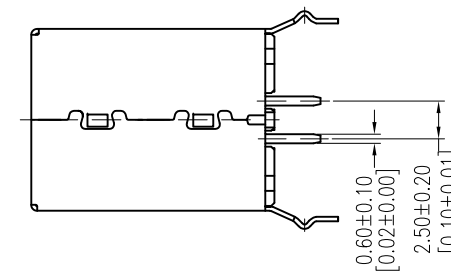
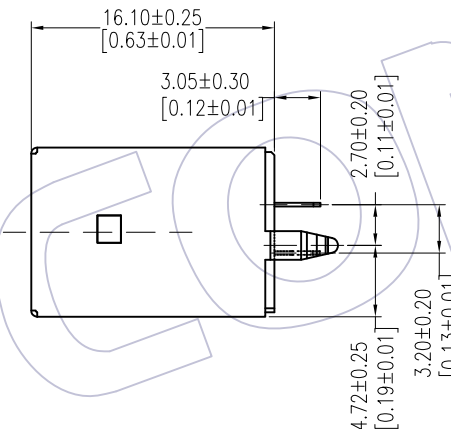
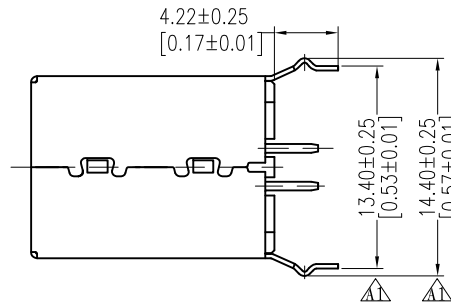
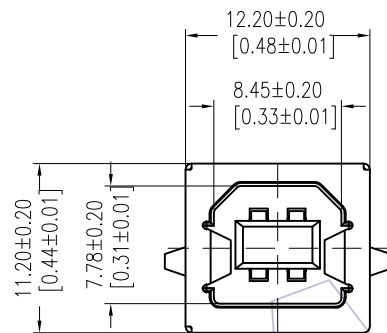
Contact Material: Brass

Insulator Material: PBT+(UL94V-0 Black)

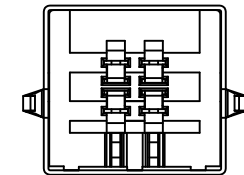
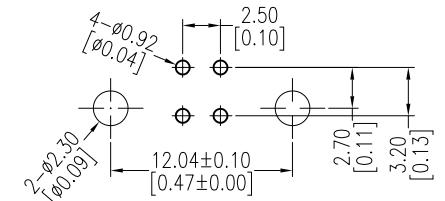
## Ordering Information

6110-04 B F S D XX W N A 1

	Contact Plating	Insulator Color	Packing:	Series No.
G0	=Gold Flash	B=Black	A=Tray	
G3	=10u"Gold	W=White		
G4	=15u"Gold	U=Blue		
G5	=30u"Gold			
S0	=Gold Flash/Matte Tin			
S3	=10u"Gold/Matte Tin			
S4	=15u"Gold/Matte Tin			
S5	=30u"Gold/Matte Tin			



Recommended P.C.B Layout (Top Side)  
(PCB BOARD TOLERANCE ± 0.05)



REV	DATE	MODIFICATION DESCRIPTION	CHANGE	OPERATION	DRAW	DATE	SCALE	FIT	PART NO.
A1	2015/07/27	Modify		X.X ±0.40	Allen	2015/07/27	UNIT	mm	6110-04BFS DXXWNA1
A1	2012/09/26	Modify 13.80±0.20 TO 13.40±0.25 14.70±0.20 TO 14.40±0.25		X.XX ±0.25	CHECK	DATE	SIZE	inch	
A0	2011/09/01	NEW	—	X.XXX ±0.15	APPROVE	DATE	SHEET	1/1	TITLE: USB B-TYPE 180° DIP
				Angle ± 3'			PROJ.		Customer NO.
				DIM TOL					

# WCON

Http: www.wcon.com

WCON-Dongguan Tel: +86 769 85358920 Fax: +86 769 85358915 E-mail: sales@wcon.com	WCON-Kunshan Tel: +86 512 57468408 Fax: +86 512 57468468 E-mail: salesks@wcon.com
---	--