

HSF

Specification


- 1.Current Rating:1.5AMP at 250V AC
Voitage rating:30v
- 2.Contact Resistance:30mΩ max
- 3.Insulation Resistance:1000MΩ min
- 4.Dielectric Withstanding Voltage:500V AC
- 5.Temperature Rating:-20℃ to +60℃
- 6.Mechanical Characteristics:
insertion Force:35 Newtons maximum
Extraction Force:10 newtons minimum

Contact Material:Brass

Insulator Material:PBT(UL94V-0 Black)

Ordering Information

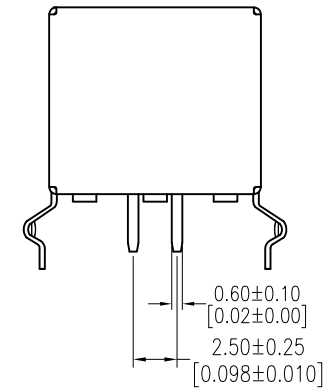
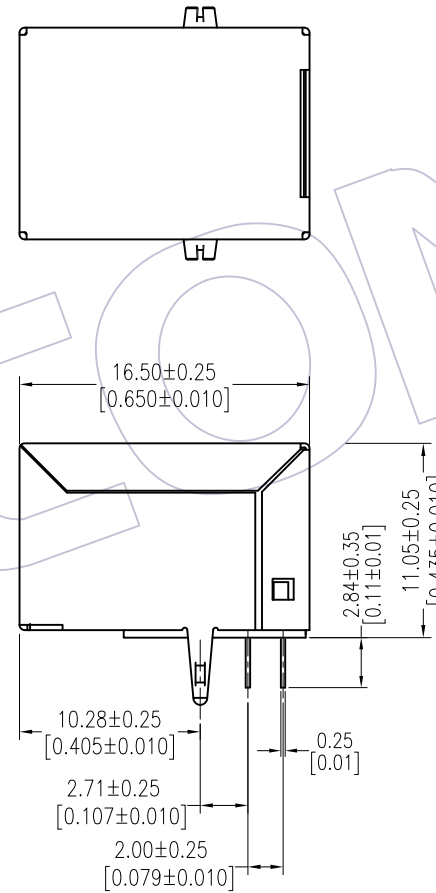
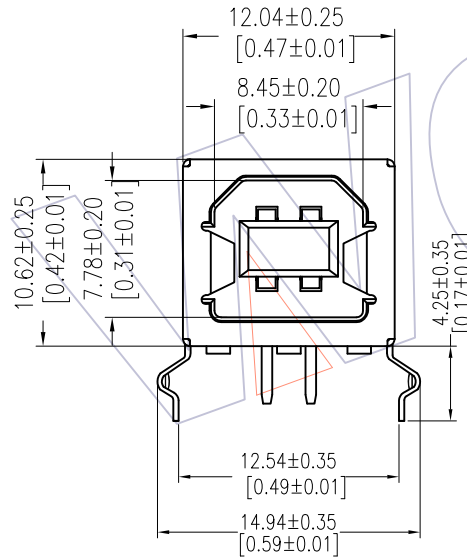
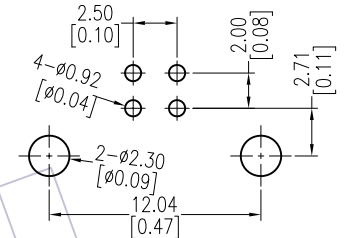
6110-04 B F R D XX W N A 1


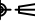
Contact Plating 
 S0=Gold Flash/Matte Tin
 S1=3u"Gold/Matte Tin
 S3=10u"Gold/Matte Tin
 S4=15u"Gold/Matte Tin
 S5=30u"Gold/Matte Tin

Insulator Color
 B=Black
 W=White
 U=Blue

Packing:
 A=Tray

RECOMMENDED P.C.B HOLE LAYOUT
 TOP VIEW(TOLERANCE:±0.10)



REV	DATE	MODIFICATION DESCRIPTION	CHANGE	OPERATION		DRAW	DATE	SCALE	FIT	PART NO.
				X.X	±0.40					
A1	2015/07/27	Modify		X.XX	±0.25	Allen	2015/07/27	UNIT	mm	6110-04BFRDXXWNA1
A0	2012/04/21	NEW	—	X.XXX	±0.15	CHECK	DATE	SIZE	A4	
				Angle	± 3'	APPROVE	DATE	SHEET	1/1	TITLE:
				DIM	TOL			PROJ.		Customer NO.

WCON

Http: www.wcon.com

WCON-Dongguan Tel: +86 769 85358920
 WCON-Kunshan Tel: +86 512 57468408
 Fax: +86 769 85358915
 Fax: +86 512 57468468
 E-mail: sales@wcon.com
 E-mail: salesks@wcon.com