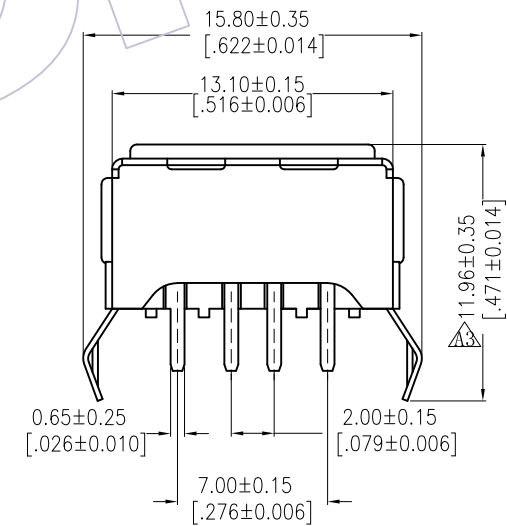
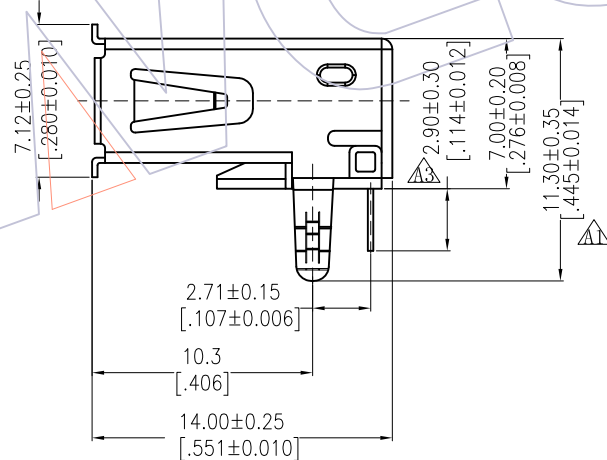
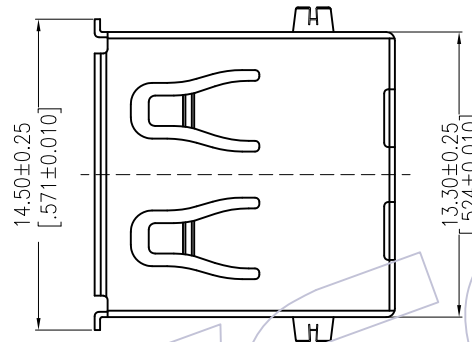
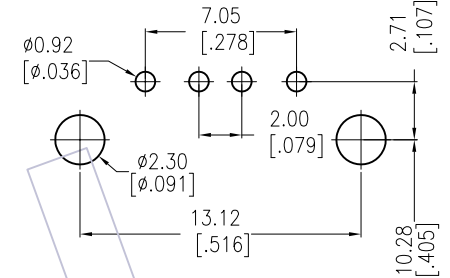


HSF

NOTES:
 Current Rating: 1.0AMP
 Contact Resistance: 30mΩ Max
 Withstand Voltage: 100V AC/DC
 Insulation Resistance: 1000MΩ Min
 Operation Temperature: -40°C to +85°C

Contact Material: Phosphor Bronze
 Contact plating: Au Or Sn over Ni
 Shell plating: Ni over Cu
 Insulator Material: PBT+30%G.F UL94V-0

Recommended P.C.B Layout (Top Side)
 (PCB BOARD TOLERANCE ±0.05)



Ordering Information

6110-04 A F R D XXX N A X

Contact Plating
 S0=Gold Flash/ Tin
 S3=10u"Gold/ Tin
 S4=15u"Gold/ Tin
 S5=30u"Gold/ Tin

Color Insulator
 B=Black
 W=White

Packing: Series No.
 A=Tray

A3	2017/02/27	Modify	A3	OPERATION	DRAW	DATE	SCALE	FIT	PART NO. 6110-04AFRDXXXNAX
A2	2015/07/27	Modify		x.x	Ding	2017/02/27	UNIT	mm	
A1	2013/04/17	MODIFY 10.70 TO 11.30	A1	x.xx	CHECK	DATE	SIZE	A4	TITLE: USB A-TYPE 90° DIP
A0	2013/01/09	NEW		x.xxx	APPROVE	DATE	SHEET	1/1	
REV	DATE	MODIFICATION DESCRIPTION	CHANGE	Angle	DIM	TOL	PROJ.	Customer NO.	

WCON

Http: www.wcon.com

WCON-Dongguan
 Tel: +86 769 85358920
 Fax: +86 769 85358915
 E-mail: sales@wcon.com

WCON-Kunshan
 Tel: +86 512 57468408
 Fax: +86 512 57468468
 E-mail: salesks@wcon.com