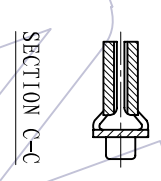
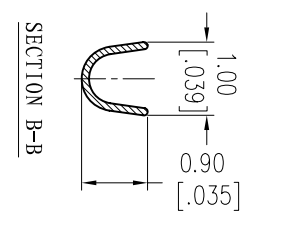
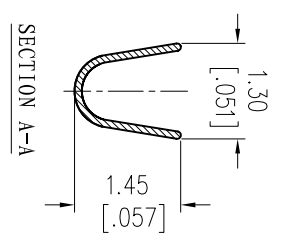
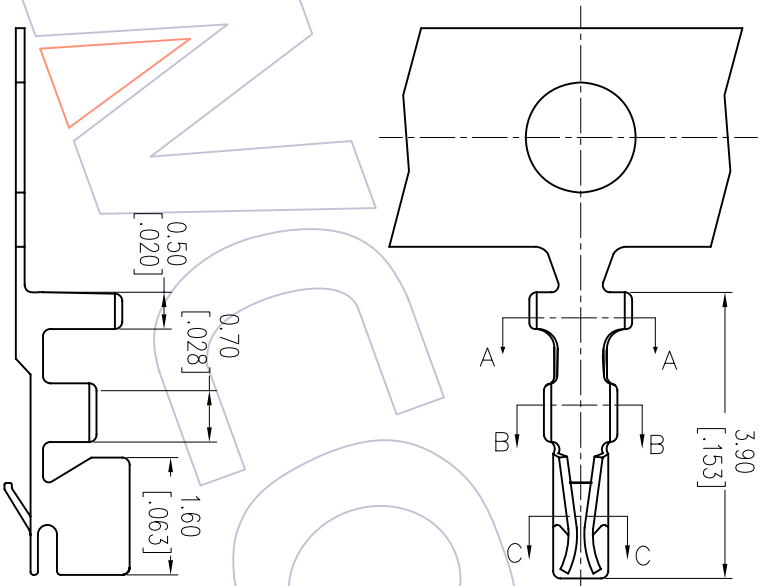


HSF

NOTES:
 Rated Current: 1A
 Rated Voltage: 50V AC/DC
 Contact Resistance: 20mΩ max
 Withstand Voltage: 500V AC/Minute
 Insulation Resistance: 100MΩ min
 Operation Temperature: -25°C to +85°C
 Material: Phosphor bronze



Ordering Information

WF1001 - TP XX 01

Contact Plating:
 G0=Gold Flash
 G3=10μ"Gold
 G4=15μ"Gold
 G5=30μ"Gold
 S0=Gold Flash/Tin
 S3=10μ"Gold/Tin
 S4=15μ"Gold/Tin
 S5=30μ"Gold/Tin
 SN=Tin

Dimensional & Ordering Information

Part No.	Thickness	Finish	Wire Range	Insulation O.D	Q'ty/Reel
WF1001-TPSN01	0.12	Tin-Plated	AWG#28~#32	0.8mm(Max.)	15,000PCS
WF1001-TPGX01	0.12	Gold-Plated	AWG#28~#32	0.8mm(Max.)	15,000PCS

REV	DATE	MODIFICATION DESCRIPTION	CHANGE	OPERATION		DRAW	DATE	SCALE		PART NO.	TITLE:	WCON-Dongguan	WCON-Kunshan
				Angle	DIM			UNIT	FIT				
AO	2012/09/01	NEW		± 3°		JYHuang	2012/09/01	mm	A4	1/1	"J" TYPE 1.00 TERMINAL	Tel: +86 769 85358920	Tel: +86 512 57468408
				± 0.15		CHECK		A4				Fax: +86 769 85358915	Fax: +86 512 57468468
						APPROVE		1/1				E-mail: sales@wcon.com	E-mail: sales@wcon.com

