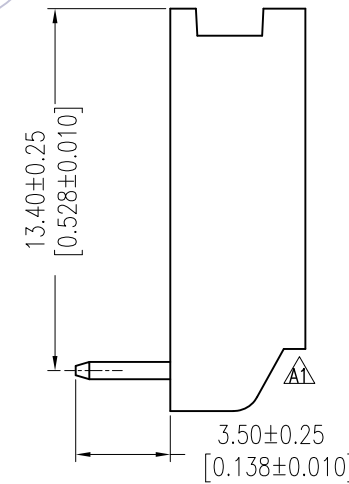
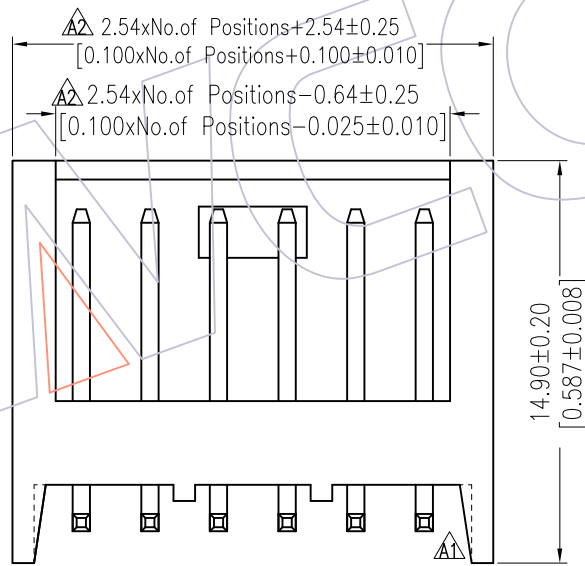
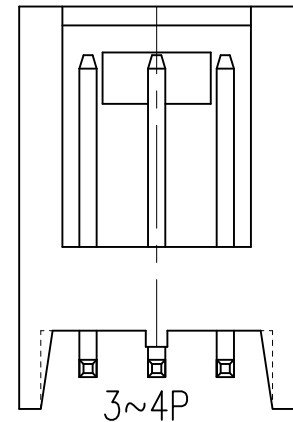
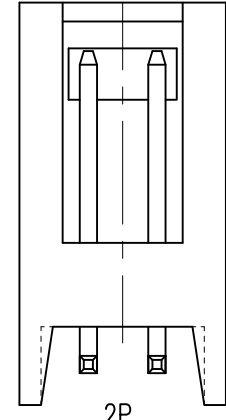
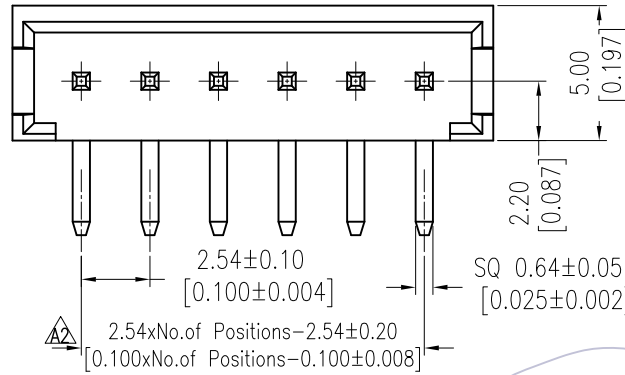
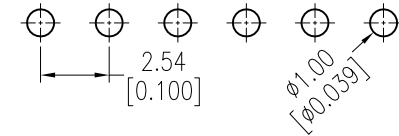


# HSF

NOTES:  
 Rated Current:3.0A  
 Contact Resistance:20mΩ max  
 Withstand Voltage:1000V AC/Minute  
 Insulation Resistance:1000MΩ min  
 Operation Temperature:-25℃ to +85℃

Contact Material:Brass  
 Contact Plating:Au Or Sn over Ni  
 Insulator Material:PBT+30%G.F (UL94V-0)

Recommended P.C.B Layout(Top Side)  
 (PCB BOARD TOLERANCE±0.05)



## Ordering Information

WF2548 -1 WR XX X 0 1

- No. of Row Single Row
- No. of pins 2P~22P
- Contact Plating S0=Gold Flash/Tin S3=10u"Gold/Tin S4=15u"Gold/Tin S5=30u"Gold/Tin G0=Gold Flash G3=10u"Gold G4=15u"Gold G5=30u"Gold Blank=Tin
- Color B=Black W=White
- Packing 0=PE Bag T=Tube

5P及以上

REV	DATE	MODIFICATION DESCRIPTION	CHANGE	OPERATION	DRAW	DATE	SCALE	FIT	PART NO.
A2	2017/02/28	Modify	△2	X.X ±0.40	Ding	2017/02/28	UNIT	mm/inch	WF2548-1WRXXX01
A1	2015/07/27	Modify	△1	X.XX ±0.25	CHECK	DATE	SIZE	A4	TITLE: 2.54 SINGLE ROW 90° DIP WAFER
A0	2012/09/08	NEW	—	X.XXX ±0.15	APPROVE	DATE	SHEET	1/1	Customer NO.
				Angle ± 3'			PROJ.		
				DIM TOL					

**WCON**  
 Http: www.wcon.com

WCON-Dongguan Tel: +86 769 85358920 Fax: +86 769 85358915 E-mail: sales@wcon.com  
 WCON-Kunshan Tel: +86 512 57468408 Fax: +86 512 57468468 E-mail: salesks@wcon.com