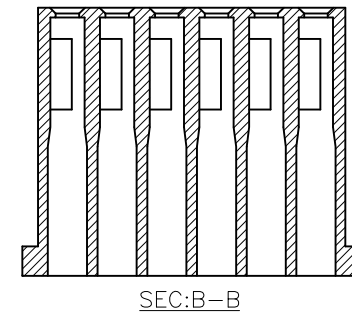
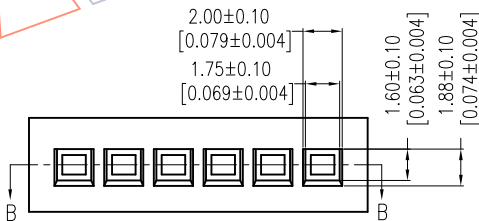
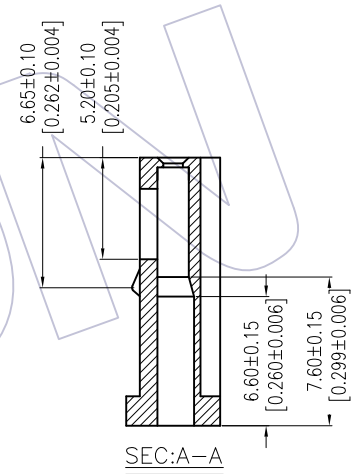
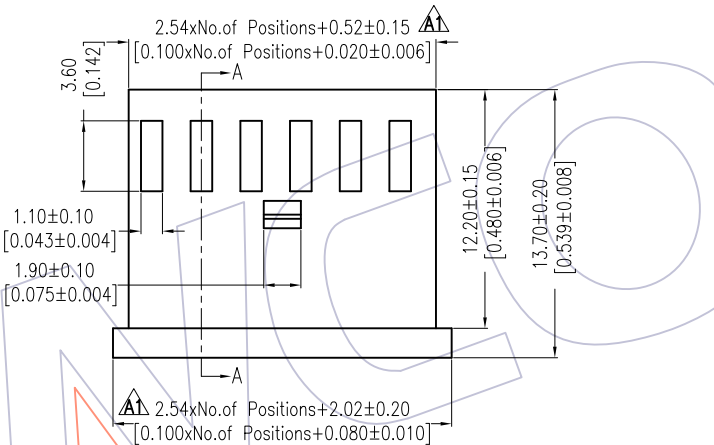
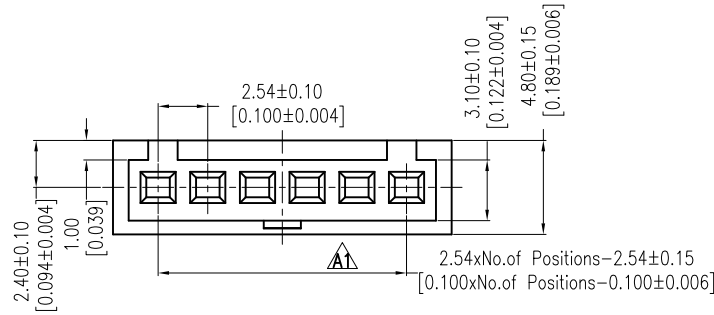


**HSF**

**NOTES:**

Rated Current:3.0AMP  
 Contact Resistance:20mΩ max  
 Withstand Voltage:1000V AC/DC  
 Insulation Resistance:1000MΩ min  
 Operation Temperature:-25℃ to +85℃  
 Insulator Material:PBT+30%G.F(UL94V-0)  
 Use with:WF2548-T  
 Mated With:WF2548-Wafer



**Ordering Information**  
**WF2548-1 H XX B 0 1**

No. of Pins Per Row:  
 02P~22P

Packing  
 0=PE Bag

				OPERATION		DRAW		DATE		SCALE		FIT		PART NO.	
				X.X ±0.40		Ding		2017/02/27		UNIT		mm		WF2548-1HXXB01	
				X.XX ±0.25		CHECK		DATE		SIZE		A4		TITLE:	
A1		2017/02/27		Modify		CHANGE				SHEET		1/1		2.54 Single Row T Type Housing	
A0		2012/09/08		NEW		APPROVE		DATE		PROJ.		Customer NO.		Customer NO.	
REV		DATE		MODIFICATION DESCRIPTION		CHANGE		DIM		TOL					

**WCON**  
 Http: www.wcon.com

WCON-Dongguan  
 Tel: +86 769 85358920  
 Fax: +86 769 85358915  
 E-mail: sales@wcon.com

WCON-Kunshan  
 Tel: +86 512 57468408  
 Fax: +86 512 57468468  
 E-mail: salesks@wcon.com