

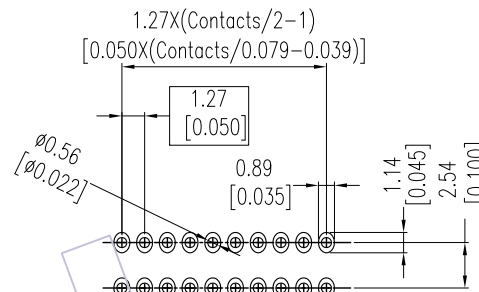
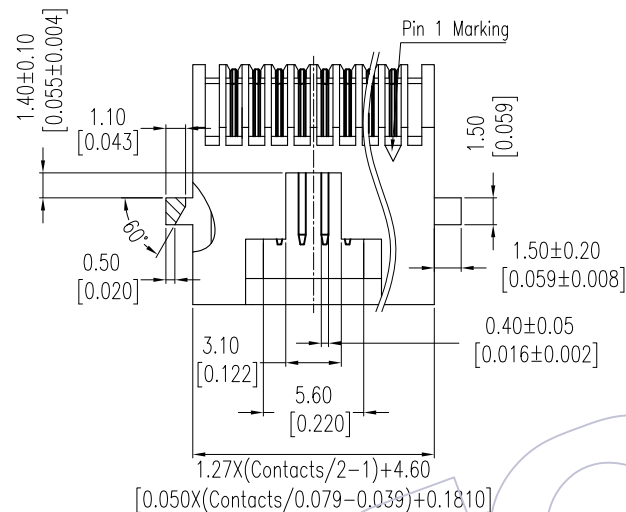
# HSF

**NOTES:**

Current Rating:1A AMP  
 Contact Resistance:30milliohm Max  
 Withstand Voltage:250V AC/DC  
 Insulation Resistance:1000Megohm Min  
 Operation Temperature:-40°C to +105°C

Housing Material:PA9T+33%GF(UL94V-0)  
 Contact Material:Phosphor Bronze  
 Contact plating:Au or Sn over Ni Plating

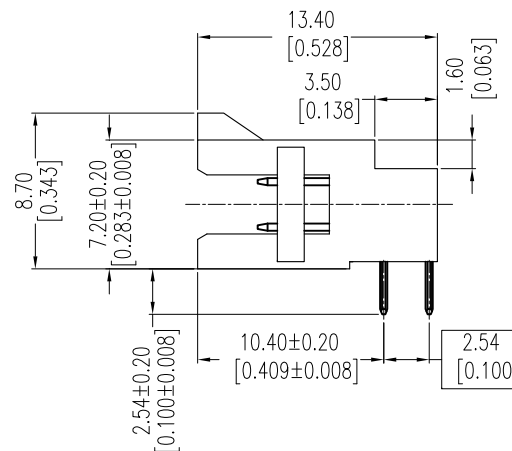
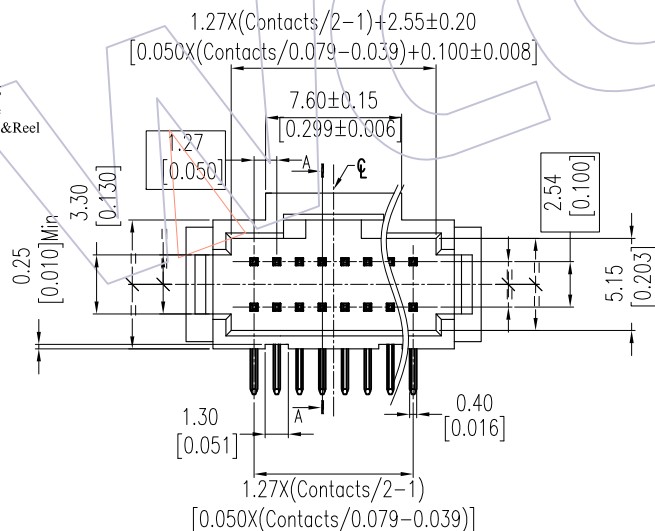
Recommended P. C. B Layout (Top Side)  
 (PCB BOARD TOLERANCE ± 0.05)




## Ordering Information

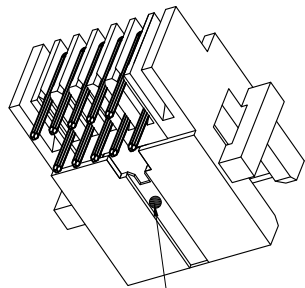
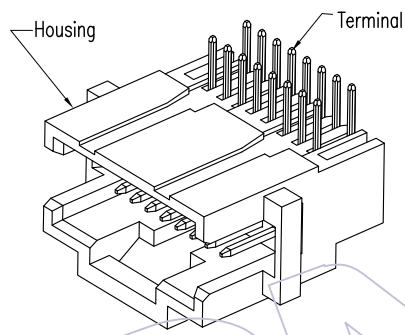
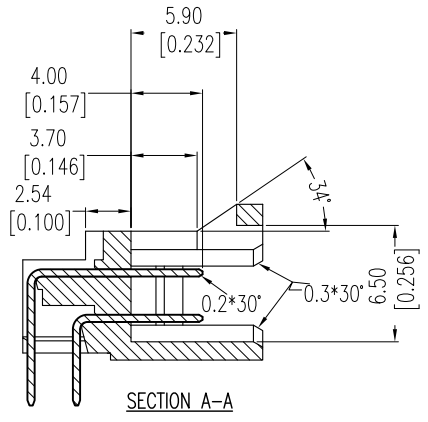
WF1271 - 2WRH **XX** **B** **X** **0**

No. of pins Per Row: 04-50P  
 Contact Plating: S0=Gold Flash/Tin, S3=10u"Gold/Tin, S4=15u"Gold/Tin, S5=30u"Gold/Tin, G0=Gold Flash, G3=10u"Gold, G4=15u"Gold, G5=30u"Gold, Blank=Tin  
 Color: B=Black  
 Packing: T=Tube, R=Tape&Reel

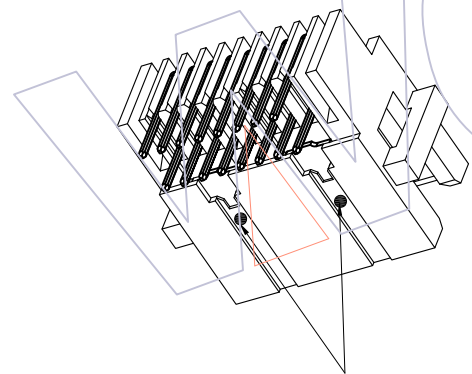


REV	DATE	MODIFICATION DESCRIPTION	CHANGE	OPERATION		DRAW	DATE	SCALE	FIT	PART NO.	 Http: www.wcon.com WCON-Dongguan Tel: +86 769 85358920 WCON-Kunshan Tel: +86 512 57468408 Fax: +86 769 85358915 Fax: +86 512 57468468 E-mail: sales@wcon.com E-mail: salesks@wcon.com	
				X.X	±0.40							
				X.XX	±0.25	CHECK	DATE		inch	WF1271-2WRHXXBX0	TITLE: 1.27*2.54 Wafer H=13.40 90° DIP W/O LOGO W/T Ear (Without Fixing Hardware)	
A0	2017/01/09	NEW		X.XXX	±0.15	APPROVE	DATE		A4			
				Angle	± 3'				1/2	Customer NO.		
				DIM	TOL				PROJ.			

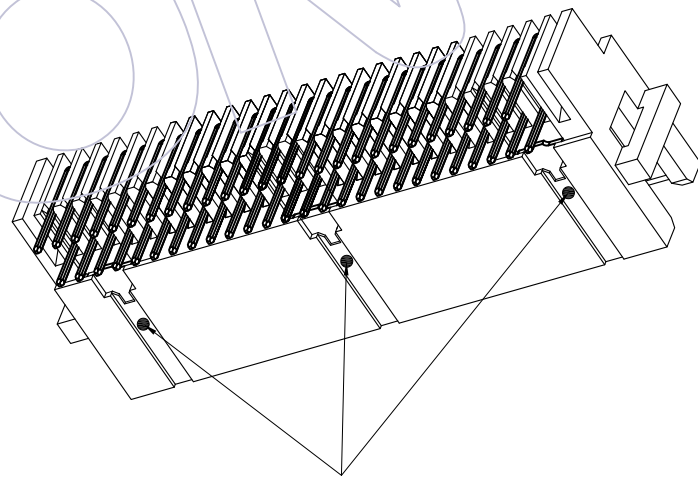
**HSF**




Without fixing hardware for 4pts till 7pts(Per Row)  
SCALE 1:1



Without fixing hardware for 8pts till 29pts(Per Row)  
SCALE 1:1



Without fixing hardware for 30pts till 50pts(Per Row)  
SCALE 1:1

				OPERATION		DRAW	DATE	SCALE	FIT	PART NO.		 <a href="http://www.wcon.com">Http: www.wcon.com</a> WCON-Dongguan      WCON-Kunshan Tel: +86 769 85358920      Tel: +86 512 57468408 Fax: +86 769 85358915      Fax: +86 512 57468468 E-mail: sales@wcon.com      E-mail: salesks@wcon.com
				X.X	±0.40	Ding	2017/01/09	UNIT	mm	WF1271-2WRHXXBX0		
				X.XX	±0.25	CHECK	DATE	SIZE	inch	TITLE: 1.27*2.54 Wafer H=13.40 90° DIP W/O LOGO W/T Ear (Without Fixing Hardware)		
A0	2017/01/09	NEW		X.XXX	±0.15	APPROVE	DATE	SHEET	2/2	Customer NO.		
REV	DATE	MODIFICATION DESCRIPTION	CHANGE	Angle	± 3'	DIM	TOL	PROJ.	