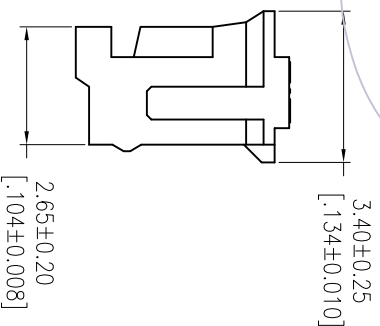
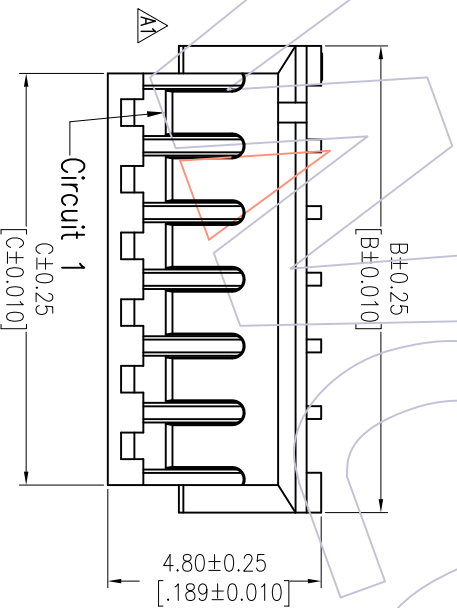
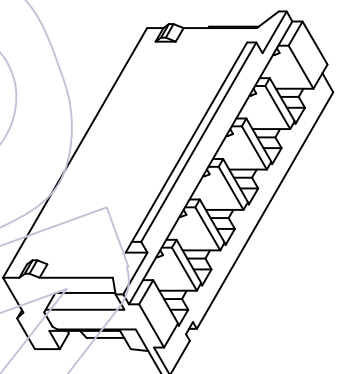
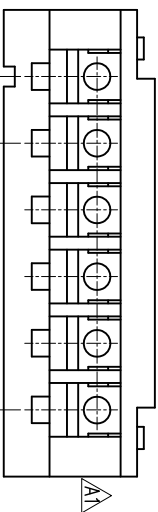


HSF

NOTES:

Rated Current:1.0AMP
 Rated Voltage:50V AC/DC
 Contact Resistance:20mΩ max
 Withstand Voltage:500V AC/Minute
 Insulation Resistance:500MΩ min
 Operation Temperature:-25℃ to +85℃
 Insulator Material:PA66 UL94V-0



Ordering Information

WF 1501 - H XX X 01

No. of pins Color
 02pin-20pin E=Beige
 W=White

Specification & Ordering Information:

Circuit	Part No.	Dimension			Q'ty /Bag
		A	B	C	
02	WF1501-H02X01	1.50	4.50	3.30	1,000
03	WF1501-H03X01	3.00	6.00	4.80	1,000
04	WF1501-H04X01	4.50	7.50	6.30	1,000
05	WF1501-H05X01	6.00	9.00	7.80	1,000
06	WF1501-H06X01	7.50	10.50	9.30	1,000
07	WF1501-H07X01	9.00	12.00	10.80	1,000
08	WF1501-H08X01	10.50	13.50	12.30	1,000
09	WF1501-H09X01	12.00	15.00	13.80	1,000
10	WF1501-H10X01	13.50	16.50	15.30	1,000
11	WF1501-H11X01	15.00	18.00	16.80	1,000
12	WF1501-H12X01	16.50	19.50	18.30	1,000
13	WF1501-H13X01	18.00	21.00	19.80	1,000
14	WF1501-H14X01	19.50	22.50	21.30	1,000
15	WF1501-H15X01	21.00	24.00	22.80	1,000
16	WF1501-H16X01	22.50	25.50	24.30	1,000
17	WF1501-H17X01	24.00	27.00	25.80	1,000
18	WF1501-H18X01	25.50	28.50	27.30	1,000
19	WF1501-H19X01	27.00	30.00	28.80	1,000
20	WF1501-H20X01	28.50	31.50	30.30	1,000

REV	DATE	MODIFICATION DESCRIPTION	CHANGE	OPERATION		DRAW		SCALE		PART NO.	
				XX	±0.40	JYHuang	DATE	UNIT	FIT	SEE TAB	
A1	2014/03/25	MODIFY THE VIEW		XXX	±0.25	CHECK	DATE	SIZE	A4	TITLE: ZH 1.50 WAFER HOUSING	
AO	2012/09/03	NEW		XXXX	±0.15	APPROVE	DATE	SHEET	1/1	Customer NO.	
				Angle	± 3'			PROJ.			
				DIM	TOL						

WCON-Dongguan
 Tel: +86 769 85358920
 Fax: +86 769 85358915
 E-mail: sales@wcon.com

WCON-Kunshan
 Tel: +86 512 57468408
 Fax: +86 512 57468468
 E-mail: sales@wcon.com