

HSF

NOTES:

Current Rating:5.0A AMP
 Contact Resistance:10milliohm Max
 Withstand Voltage:1000V AC/Minute
 Insulation Resistance:1000Megohm Min
 Operation Temperature:-25°C to +85°C

Housing Material:LCP+30%GF(UL94V-0)
 Contact Material:Copper alloy
 Contact plating:Au/Sn over Ni Plating

Ordering Information

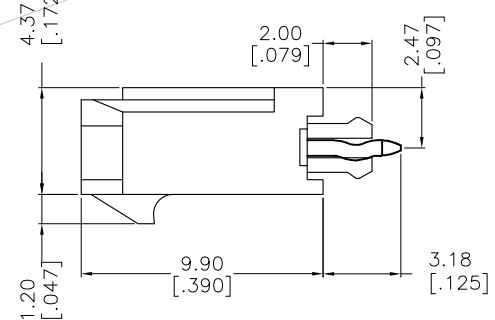
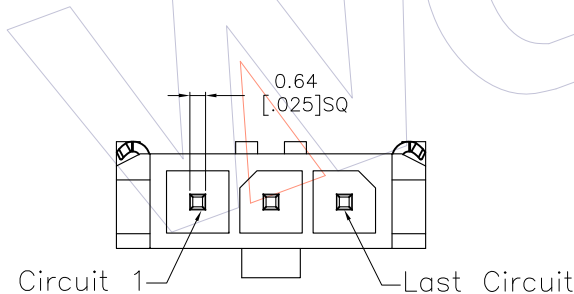
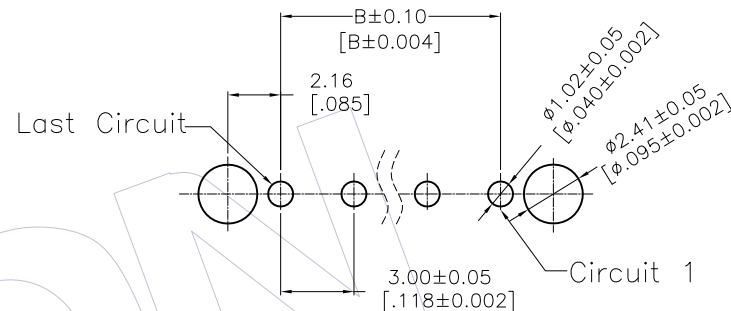
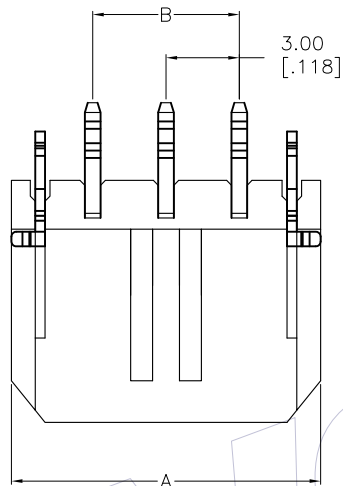
WF3001-1 WS XX B X 2

Terminal shape:
WS:Wafer 180° DIP

NO.of Pins
02~12Pin

Packing:
0=PE Bag
T=Tube
A=Tray
R=Tape&Reel

RECOMMENDED PCB LAYOUT
TOLERANCE IS ± 0.05



Circuit	A	B
02	9.65[0.380]	3.00[0.118]
03	12.65[0.498]	6.00[0.236]
04	15.65[0.616]	9.00[0.355]
05	18.65[0.735]	12.00[0.473]
06	21.65[0.853]	15.00[0.591]
07	24.65[0.971]	18.00[0.709]
08	27.65[1.089]	21.00[0.827]
09	30.65[1.207]	24.00[0.945]
10	33.65[1.325]	27.00[1.063]
11	36.65[1.443]	30.00[1.181]
12	39.65[1.561]	33.00[1.299]

REV	DATE	MODIFICATION DESCRIPTION	CHANGE	OPERATION	DRAW	DATE	SCALE	PART NO.
A1	2012.05.03	料号由WF3001-1WSHXXBX2变更为WF3001-1WSXXBX2	Atomy	X.X ±0.40	FZY	2012.05.02	1:1	WF3001-1WSXXBX2
A0	2011.12.20	NEW	-	X.XX ±0.25	CHECK	DATE	UNIT	TITLE:
				X.XXX ±0.15	APPROVE	DATE	SIZE	3.0 Wafer Single Row
				Angle ± 3'			SHEET	180° DIP With Clip
				DIM TOL			PROJ.	Customer NO.

WCON
 Http: www.wcon.com

WCON-Dongguan
 Tel: +86 769 85358920
 Fax: +86 769 85358915
 E-mail: sales@wcon.com

WCON-Kunshan
 Tel: +86 512 57468408
 Fax: +86 512 57468468
 E-mail: sales@wcon.com