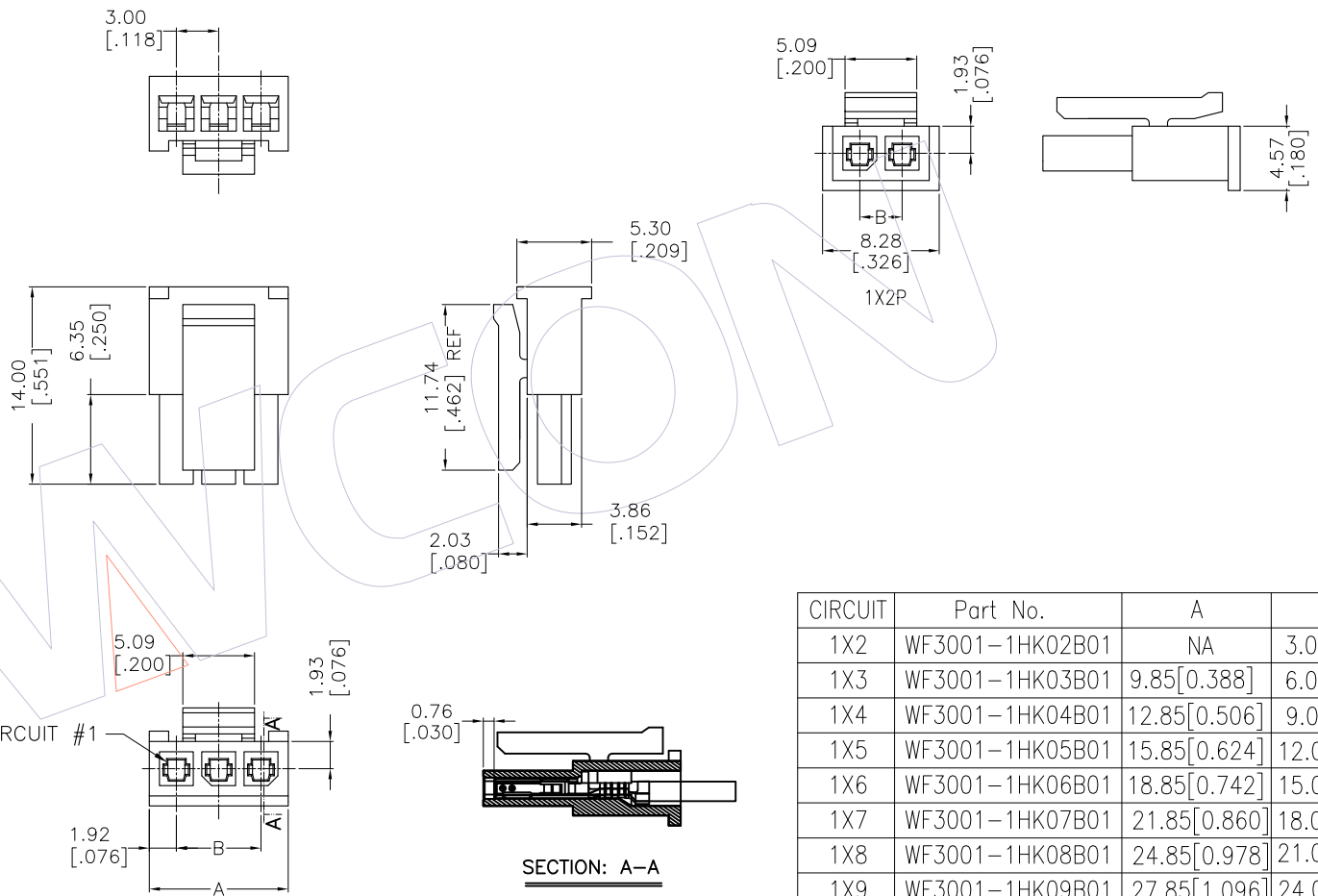


# HSF

NOTES:  
 Current Rating: 5.0 AMP  
 Voltage Rating: 250V AC/DC  
 Temperature Range: -25°C to +85°C  
 Contact Resistance: 10mΩ Max.  
 Insulation Resistance: 1000MΩ Min.  
 Withstanding Voltage: 1000V AC/Minute  
 Material: PA66(UL94V-0)  
 Color: Black



## Ordering Information

WF3001-1H XX B 01

Terminal Shape  
H:HOUSING

No.of Pins  
02-12P

Colour:  
B:Black

CIRCUIT	Part No.	A	B
1X2	WF3001-1HK02B01	NA	3.00[0.118]
1X3	WF3001-1HK03B01	9.85[0.388]	6.00[0.236]
1X4	WF3001-1HK04B01	12.85[0.506]	9.00[0.354]
1X5	WF3001-1HK05B01	15.85[0.624]	12.00[0.472]
1X6	WF3001-1HK06B01	18.85[0.742]	15.00[0.591]
1X7	WF3001-1HK07B01	21.85[0.860]	18.00[0.709]
1X8	WF3001-1HK08B01	24.85[0.978]	21.00[0.827]
1X9	WF3001-1HK09B01	27.85[1.096]	24.00[0.945]
1X10	WF3001-1HK10B01	30.85[1.215]	27.00[1.063]
1X11	WF3001-1HK11B01	33.85[1.333]	30.00[1.181]
1X12	WF3001-1HK12B01	36.85[1.451]	33.00[1.299]

REV	DATE	MODIFICATION DESCRIPTION	CHANGE	OPERATION	DRAW	DATE	SCALE	PART NO.	 <a href="http://www.wcon.com">Http: www.wcon.com</a> WCON-Dongguan Tel: +86 769 85358920 Fax: +86 769 85358915 E-mail: sales@wcon.com WCON-Kunshan Tel: +86 512 57468408 Fax: +86 512 57468468 E-mail: sales@wcon.com
				X.X	Rikey	2012.06.12	1:1	WF3001-1HXXB01	
				X.XX	CHECK		UNIT	TITLE:	
				X.XXX	APPROVE		mm inch	3.00 mm SINGLE ROW HOUSING	
				Angle			SIZE	Customer NO.	
				± 3'			A4		
				DIM			SHEET		
				TOL			1/1		
							PROJ.		