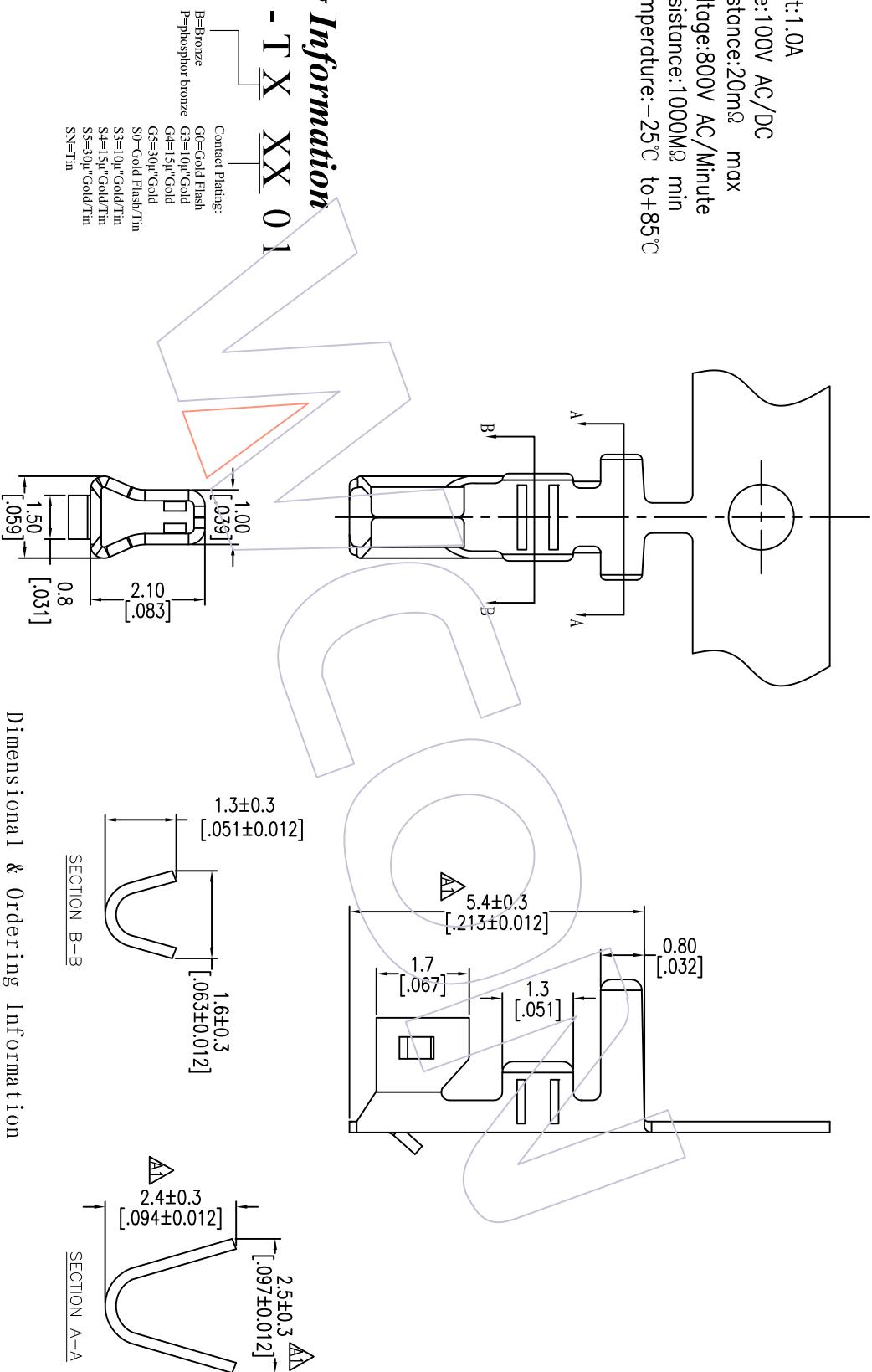


HSF

NOTES:

Rated Current: 1.0A
 Rated Voltage: 100V AC/DC
 Contact Resistance: 20mΩ max
 Withstand Voltage: 800V AC/Minute
 Insulation Resistance: 1000MΩ min
 Operation Temperature: -25°C to +85°C



Ordering Information

WF2001 - T X XX 01

Contact Plating:
 G0=Gold Flash
 G3=10μ"Gold
 G4=15μ"Gold
 G5=30μ"Gold
 S0=Gold Flash/Tin
 S3=10μ"Gold/Tin
 S4=15μ"Gold/Tin
 S5=30μ"Gold/Tin
 SN=Tin

B=Bronze
 P=phosphor bronze

Dimensional & Ordering Information

Part No.	Thickness	Material	Finish	Wire Range	Insulation O.D	Q'ty/Reel
WF2001-TPSN01	0.20	Phosphor bronze	Tin-Plated	AWG#24~#30	1.13~1.40mm	10,000PCS

WCON

Http: www.wcon.com

WCON-Dongguan
 Tel: +86 769 85358920
 Fax: +86 769 85358915
 E-mail: sales@wcon.com

WCON-Kunshan
 Tel: +86 512 57468408
 Fax: +86 512 57468468
 E-mail: sales@wcon.com

REV	DATE	MODIFICATION DESCRIPTION	CHANGE	OPERATION	DRAW	DATE	SCALE	FIT	PART NO.	TITLE:
A1	2013/09/02	MODIFY THE DIM	△	X.X	JYhuang	2013/09/02	mm	A4	WF2001-TXXX01	"J" TYPE PH2.00 TERMINAL
A0	2012/09/04	NEW		X.XXX	CHECK		A4			
				Angle	APPROVE	DATE	SHEET	1/1		Customer NO.
				DIM			PROJ.			

OPERATION	DRAW	DATE	SCALE	FIT	PART NO.	TITLE:
X.X	JYhuang	2013/09/02	mm	A4	WF2001-TXXX01	"J" TYPE PH2.00 TERMINAL
X.XXX	CHECK		A4			
Angle	APPROVE	DATE	SHEET	1/1		Customer NO.
DIM			PROJ.			