

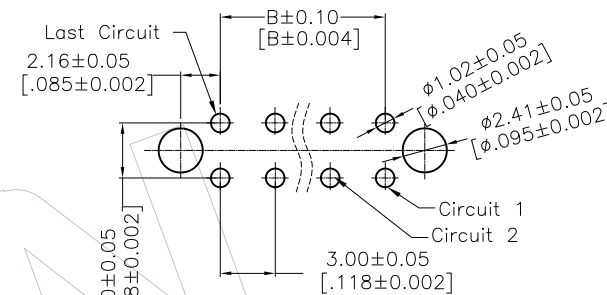
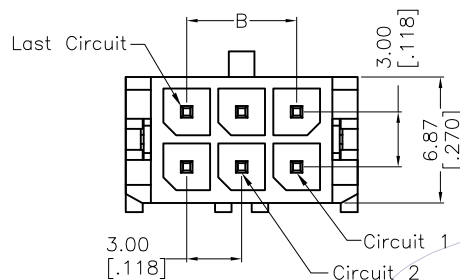
HSF

NOTES:

Current Rating:5.0A AMP
 Contact Resistance:10milliohm Max
 Withstand Voltage:1000V AC/Minute
 Insulation Resistance:1000Megohm Min
 Operation Temperature:-25°C to +85°C

Housing Material:LCP+30%GF(UL94V-0)
 Contact Material:Copper alloy
 Contact plating:Au/Sn over Ni Plating

RECOMMENDED PCB LAYOUT
 TOLERANCE IS ±0.05



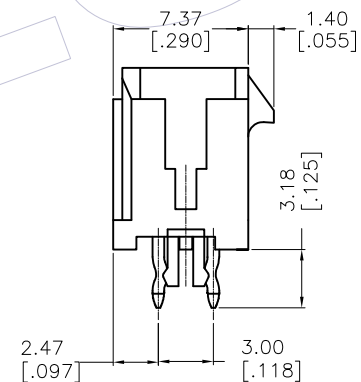
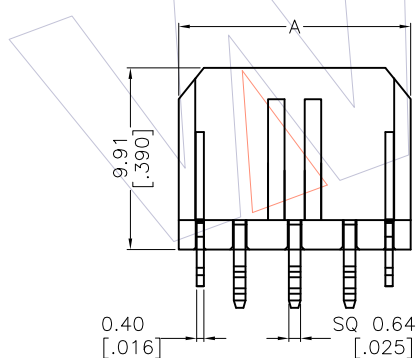
Ordering Information

WF3001-2 WS XX B X 2

Terminal shape:
 WS:Wafer 180° DIP

NO.of Pins Per Row:01~12Pin

Packing:
 0=PE Bag
 T=Tube
 A=Tray
 R=Tape&Reel



Circuit	A	B
02	6.65[0.262]	NA
04	9.65[0.380]	3.00[0.118]
06	12.65[0.498]	6.00[0.236]
08	15.65[0.616]	9.00[0.355]
10	18.65[0.735]	12.00[0.473]
12	21.65[0.853]	15.00[0.591]
14	24.65[0.971]	18.00[0.709]
16	27.65[1.089]	21.00[0.827]
18	30.65[1.207]	24.00[0.945]
20	33.65[1.325]	27.00[1.063]
22	36.65[1.443]	30.00[1.181]
24	39.65[1.561]	33.00[1.299]

REV	DATE	MODIFICATION DESCRIPTION	CHANGE	OPERATION		DRAW FZY	DATE	SCALE	1:1	PART NO.
				X.X	±0.40					
A1	2012.05.02	料号由WF3001-2WSHXXBX2变更为WF3001-2WSXXBX2	Atomy	X.XX	±0.25	CHECK	2012.05.02	UNIT	mm inch	△ WF3001-2WSXXBX2
A0	2011.12.20	NEW	-	X.XXX	±0.15	APPROVE	DATE	SHEET	1/1	TITLE: 3.00 WAFER DUAL ROW 180° DIP WITH CLIP
				Angle	± 3'			PROJ.	Customer NO.	
				DIM	TOL					

WCON
 Http: www.wcon.com

WCON-Dongguan
 Tel: +86 769 85358920
 Fax: +86 769 85358915
 E-mail: sales@wcon.com

WCON-Kunshan
 Tel: +86 512 57468408
 Fax: +86 512 57468468
 E-mail: sales@wcon.com