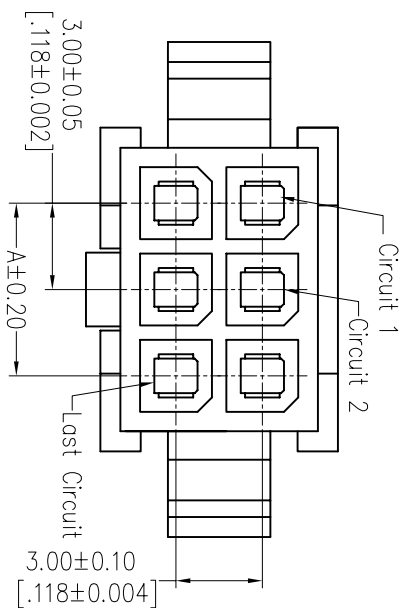


HSP

NOTES:

Rated Current: 5.0A
 Contact Resistance: 20mΩ max
 Withstand Voltage: 1500V AC/Minute
 Insulation Resistance: 1000MΩ min
 Operation Temperature: -25°C to +85°C
 Insulator Material: PA66
 Used with: WF3001-MT (Male Terminal)



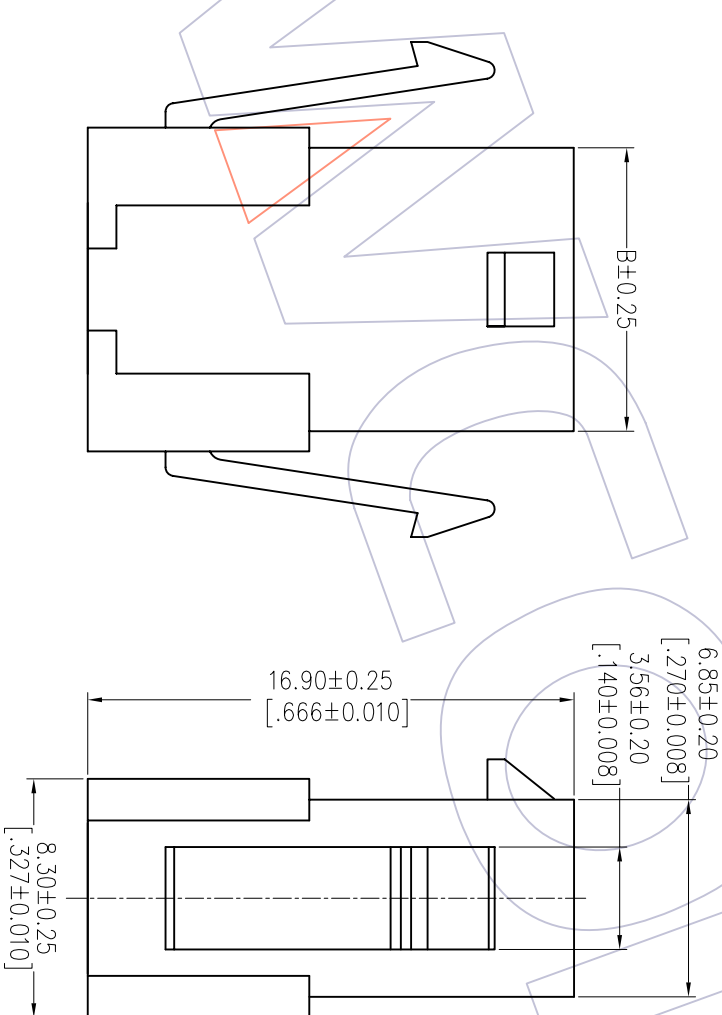
Ordering Information

WF 3001 - 2HK XX B 01

No. of row
Dual Row

No. of pins
Color
01~12pin

Packing
E=Beige
0=PE Bag
W=White
B=Black



Specification & Ordering Information:

Circuit	Part No.	Dimension	
		A	B
02	WF3001-2HK01B01	---	3.85
04	WF3001-2HK02B01	3.00	6.85
06	WF3001-2HK03B01	6.00	9.85
08	WF3001-2HK04B01	9.00	12.85
10	WF3001-2HK05B01	12.00	15.85
12	WF3001-2HK06B01	15.00	18.85
14	WF3001-2HK07B01	18.00	21.85
16	WF3001-2HK08B01	21.00	24.85
18	WF3001-2HK09B01	24.00	27.85
20	WF3001-2HK10B01	27.00	30.85
22	WF3001-2HK11B01	30.00	33.85
24	WF3001-2HK12B01	33.00	36.85

OPERATION	XX	±0.40	DRAW	JYHuang	DATE	2012/09/20	SCALE	FIT	PROJ.	PART NO.	SEE TAB
CHECK	XXX	±0.25	CHECK		DATE		UNIT	mm		TITLE:	3.00mm DUAL ROW HOUSING
ANGLE	XXX	±0.15	APPROVE		DATE		SIZE	A4		SHEET	1/1
REV	DATE	MODIFICATION DESCRIPTION	CHANGE							CUSTOMER NO.	

WCON

WCON-Dongguan
 Tel: +86 769 85358920
 Fax: +86 769 85355915
 E-mail: sales@wcon.com

WCON-Kunshan
 Tel: +86 512 57468408
 Fax: +86 512 57468468
 E-mail: sales@wcon.com