

HSF

NOTES:

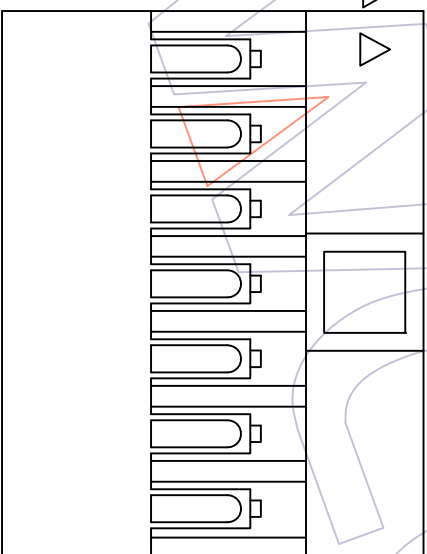
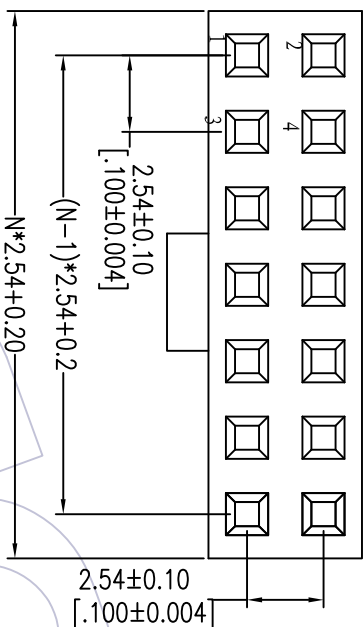
Rated Current:3.0AMP
Contact Resistance:20mΩ max
Withstand Voltage:1000V AC/DC
Insulation Resistance:1000MΩ min
Operation Temperature:-25℃ to +85℃

Insulator Material:PBT+30%G.F UL94V-0
Use with: WF2543-T
Mated with: WF2543-Wafer

Ordering Information

WF2543 - 2 H XX X 02

No.of Row No.of pins Color Packing
Dual Row 01P~20P W=White 0=PE Bag
B=Black



OPERATION	SCALE	FIT	PART NO.	
X.X ±0.40	UNIT	mm	WF2543-2HXXX02	
X.XX ±0.25	CHECK	A4	TITLE: DUAL ROW 2.54 HOUSING	
X.XXX ±0.15	APPROVE	1/1	Customer NO.	
Angle ± 3°	DATE	PROJ.	WCON-Dongguan	
DIM TOL	DATE		WCON-Kunshan	
CHANGE	DATE		Http: www.wcon.com	
REV	DATE	MODIFICATION DESCRIPTION	WCON-Dongguan	
A1	2014/08/13	Modify	Tel: +86 769 85358920	
A0	2013/07/17	NEW	Tel: +86 512 57468408	
			Fax: +86 769 85358915	
			Fax: +86 512 57468468	
			E-mail: sales@wcon.com	
			E-mail: sales@wcon.com	

WCON

Http: www.wcon.com

WCON-Dongguan
Tel: +86 769 85358920
Fax: +86 769 85358915
E-mail: sales@wcon.com

WCON-Kunshan
Tel: +86 512 57468408
Fax: +86 512 57468468
E-mail: sales@wcon.com