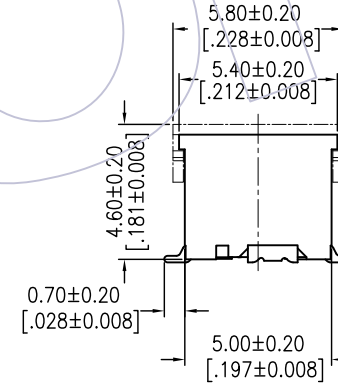
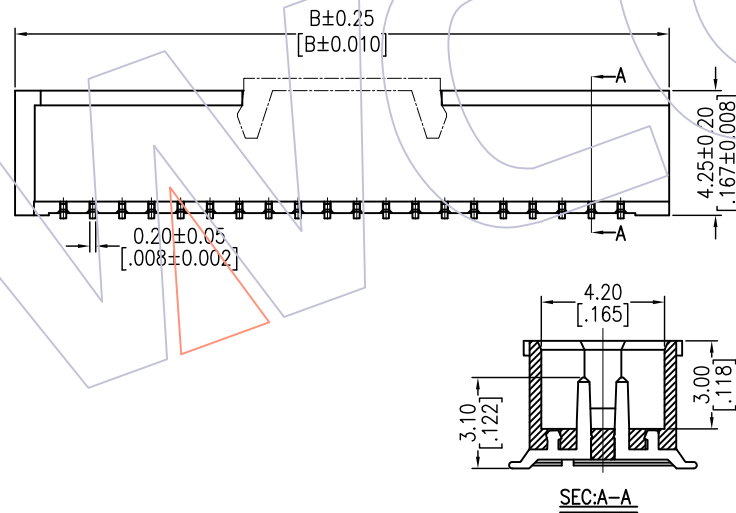
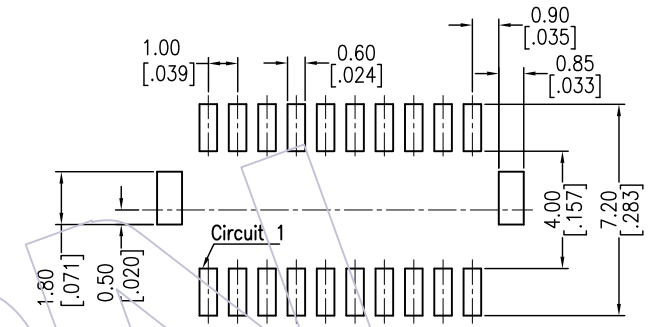
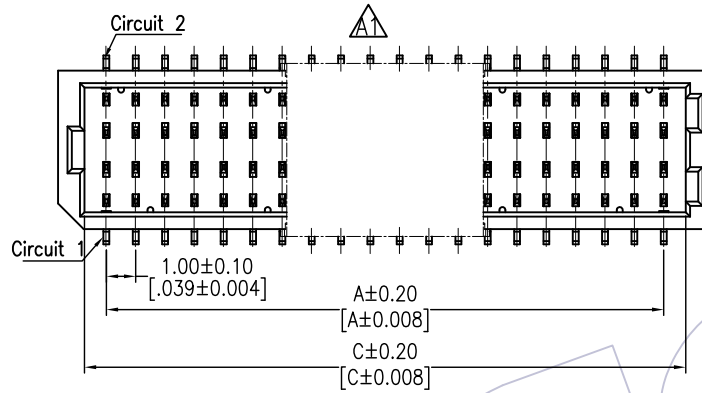


HSF

NOTES:

Rated Voltage:100V AC/DC
 Rated Current:1.0AMP
 Contact Resistance:20mΩ max
 Withstand Voltage:500V AC/DC
 Insulation Resistance:100MΩ min
 Operation Temperature:-25℃ to +85℃
 Contact Material:Brass
 Contact plating:Au Or Sn Over Ni
 Insulator Material:PA6T+30%G.F UL94V-0

Recommended P.C.B Layout(Top Side)
 (PCB BOARD TOLERANCE±0.05)



Ordering Information

WF1006 - WM XX X R 1

No. of pins See List
 Color B=Black T=Natural
 Packing R=Tape&Reel+CAP

Circuit	Part No.	Dimension		
		A	B	C
08	WF1006-WM08XX1	3.00	6.30	4.40
10	WF1006-WM10XX1	4.00	7.30	5.40
12	WF1006-WM12XX1	5.00	8.30	6.40
14	WF1006-WM14XX1	6.00	9.30	7.40
16	WF1006-WM16XX1	7.00	10.30	8.40
18	WF1006-WM18XX1	8.00	11.30	9.40
20	WF1006-WM20XX1	9.00	12.30	10.40
24	WF1006-WM24XX1	11.00	14.30	12.40
28	WF1006-WM28XX1	13.00	16.30	14.40
30	WF1006-WM30XX1	14.00	17.30	15.40
34	WF1006-WM34XX1	16.00	19.30	17.40
40	WF1006-WM40XX1	19.00	22.30	20.40
50	WF1006-WM50XX1	24.00	27.30	25.40
60	WF1006-WM60XX1	29.00	32.30	30.40

REV	DATE	MODIFICATION DESCRIPTION	CHANGE	OPERATION	DRAW	DATE	SCALE	FIT	PART NO.
A1	2017/03/01	Modify	△	X.X ±0.40	Ding	2017/03/01	UNIT	mm	WF1006-WMXXXR1
AO	2014/05/15	NEW	—	X.XX ±0.25	CHECK	DATE	SIZE	A4	TITLE:
				X.XXX ±0.15	APPROVE	DATE	SHEET	1/1	"J"Type 1.0mm Wafer180° SMT
				Angle ± 3'			PROJ.	Customer NO.	
				DIM TOL					

WCON
 Http: www.wcon.com

WCON-Dongguan Tel: +86 769 85358920
 WCON-Kunshan Tel: +86 512 57468408
 Fax: +86 769 85358915
 Fax: +86 512 57468468
 E-mail: sales@wcon.com
 E-mail: salesks@wcon.com