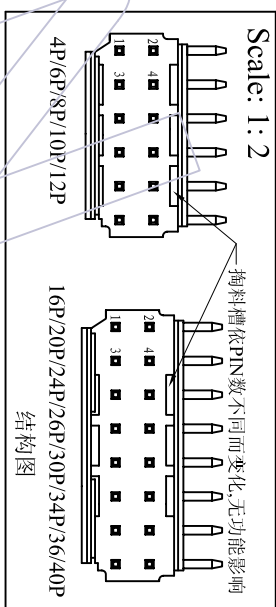
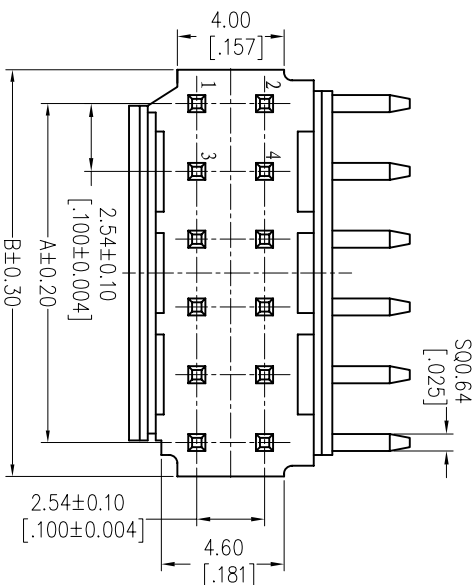


HSP

Recommended P.C.B Layout (Top Side)
(PCB BOARD TOLERANCE±0.05)

NOTES:
Rated Current: 3.0A
Contact Resistance: 20mΩ max
Withstand Voltage: 1000V AC/Minute
Insulation Resistance: 1000MΩ min
Operation Temperature: -25°C to +85°C

Contact Material: Brass
Contact plating: Au Or Sn Over Ni
Insulator Material: PA66(UL94V-0)

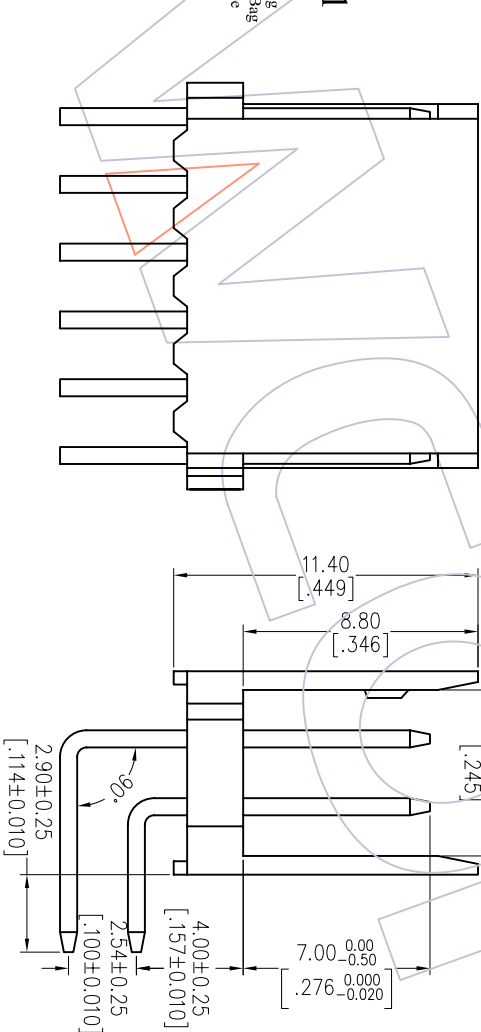


Scale: 1:2
插料槽依PIN数不同而变化无功能影响
结构图

Ordering Information

WF2547 - 2 WR XX XX X X 1

No.of Row No.of pins Contact Plating Color Packing
Dual Row 02P-20P S0=Gold Flash/Tin W=White O=PE Bag
S3=10u"Gold/Tin U=Blue T=Tube
S4=15u"Gold/Tin B=Black
S5=30u"Gold/Tin
G0=Gold Flash
G3=10u"Gold
G4=15u"Gold
G5=30u"Gold
Blank=Tin



Specification & Ordering Information:

Circuit	Part No.	Dimension	
		A	B
2x02	WF2547-2WR02XX1	2.54	5.08
2x03	WF2547-2WR03XX1	5.08	7.62
2x04	WF2547-2WR04XX1	7.62	10.16
2x05	WF2547-2WR05XX1	10.16	12.70
2x06	WF2547-2WR06XX1	12.70	15.24
2x08	WF2547-2WR08XX1	17.78	20.32
2x10	WF2547-2WR10XX1	22.86	25.40
2x12	WF2547-2WR12XX1	27.94	30.48
2x13	WF2547-2WR13XX1	30.48	33.02
2x15	WF2547-2WR15XX1	35.56	38.10
2x17	WF2547-2WR17XX1	40.64	43.18
2x18	WF2547-2WR18XX1	43.18	45.72
2x20	WF2547-2WR20XX1	48.26	50.80

WCON

Http: www.wcon.com

WCON-Dongguan WCON-Kunshan
Tel: +86 769 85358920 Tel: +86 512 57468408
Tel: +86 769 85355915 Fax: +86 512 57468468
E-mail: sales@wcon.com E-mail: sales@wcon.com

OPERATION DRAW DATE SCALE FIT PART NO.
X.X JYHuang 2012/09/08 UNIT mm SEE TAB
CHECK DATE SIZE A4 TITLE:
X.XXX ±0.25 SHEET 1/1 "T" TYPE 2.54 WAFER 90° DUAL ROW
X.XXX ±0.15 PROJ. 1/1 Customer NO.

CHANGE DIM TOL APPROVE DATE

REV DATE MODIFICATION DESCRIPTION

AO 2012/09/08 NEW

H
G
F
E
D
C
B
A

H
G
F
E
D
C
B
A