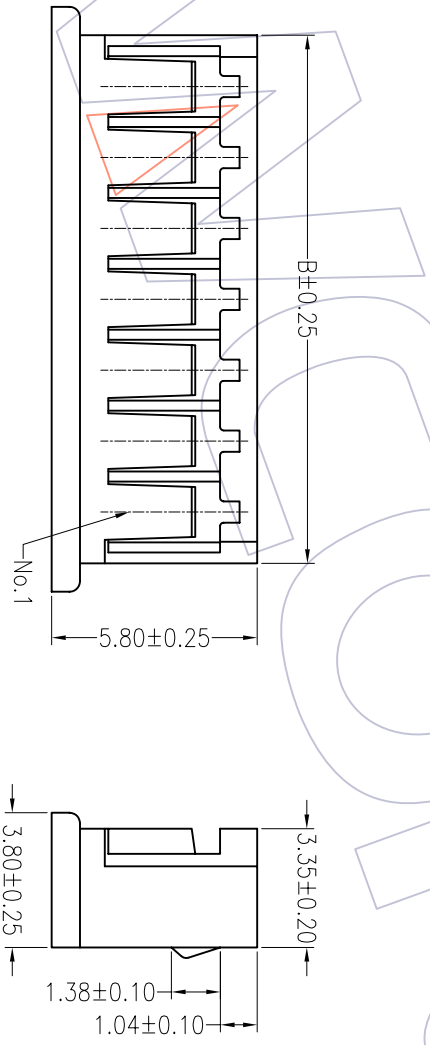
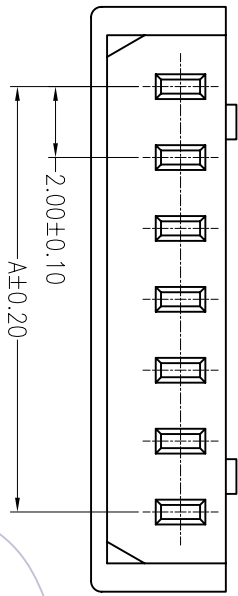


# HSF

**NOTES:**

Rated Current:2.0AMP  
 Rated Voltage:125V AC/DC  
 Contact Resistance:20mΩ max  
 Withstand Voltage:800V AC/Minute  
 Insulation Resistance:1000MΩ min  
 Operation Temperature:-25°C to +85°C  
 Insulator Material:PA66 UL94V-0



## Ordering Information

WF 2008 - H XX W 0 1

No. of pins per Row: 02-1SP  
 Color  
 W= White  
 B= Black  
 U= Blue  
 E= Beige  
 Packing  
 O=PE Bag

Specification & Ordering Information:

Circuit	Part No.	Dimension	
		A	B
02	WF2008-H02W01	2.00	4.90
03	WF2008-H03W01	4.00	6.90
04	WF2008-H04W01	6.00	8.90
05	WF2008-H05W01	8.00	10.90
06	WF2008-H06W01	10.00	12.90
07	WF2008-H07W01	12.00	14.90
08	WF2008-H08W01	14.00	16.90
09	WF2008-H09W01	16.00	18.90
10	WF2008-H10W01	18.00	20.90
11	WF2008-H11W01	20.00	22.90
12	WF2008-H12W01	22.00	24.90
13	WF2008-H13W01	24.00	26.90
14	WF2008-H14W01	26.00	28.90
15	WF2008-H15W01	28.00	30.90

REV	DATE	MODIFICATION DESCRIPTION	CHANGE	APPROVE	OPERATION		DRAW	Millium Class	08.08.07	SCALE		PART NO.	TITLE:	SHEET	PROJ.	Customer NO.
					Angle	± 3'				UNIT	mm					
A0	08/08/07	NEW			X.XX	±0.25	DESIGN			1:1				1/1		2.00mm HOUSING
					X.XXX	±0.15	CHECK									
					X.XXX	±0.05	APPROVE									

**WCON** 维峰五金电子有限公司  
 WAFE HARDWARE ELECTRONICS CO. LTD

SBE TAB