

HSF

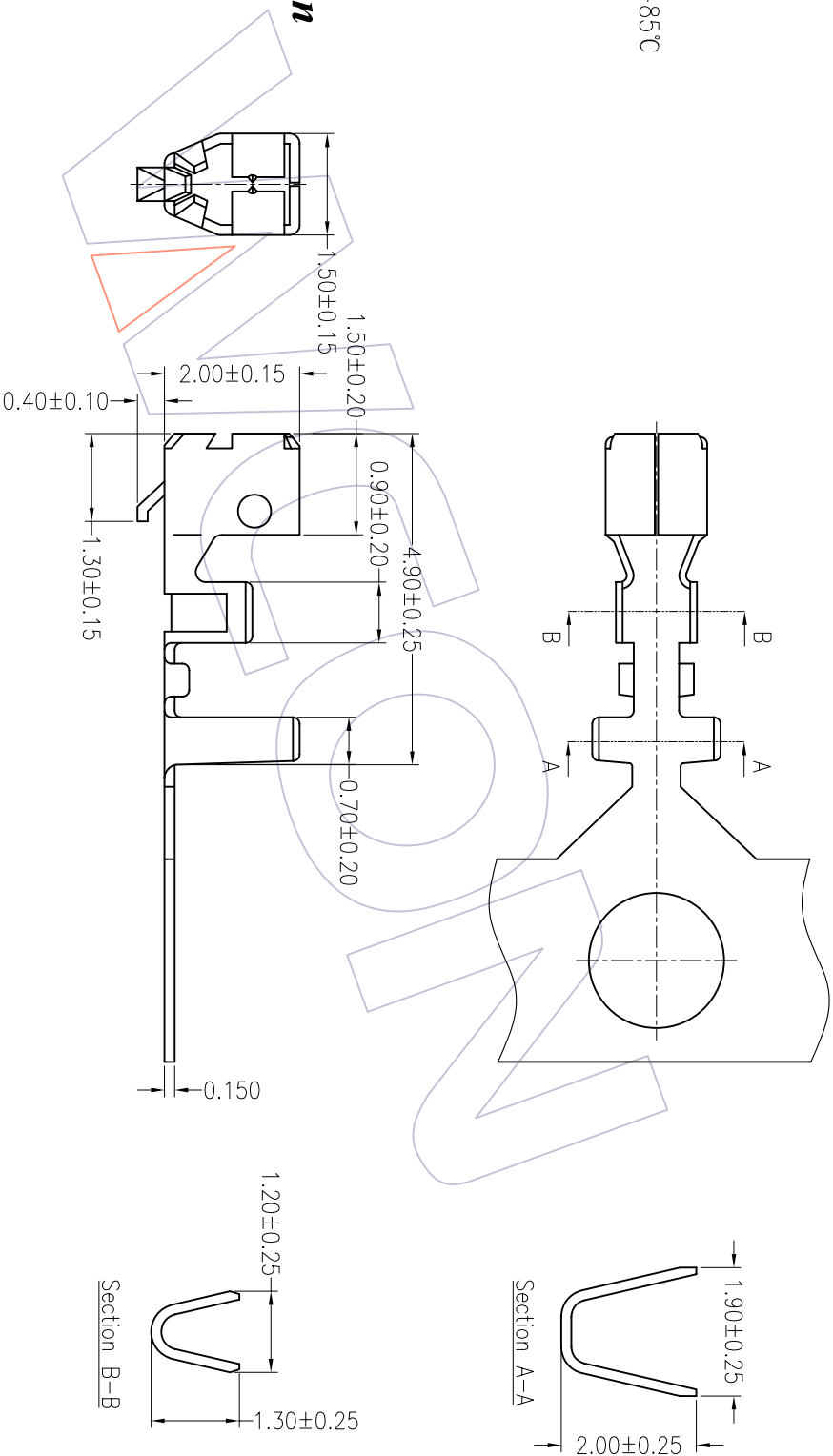
NOTES:

Rated Current:2.0AMP
 Rated Voltage:125V AC/DC
 Contact Resistance:20mΩ max
 Withstand Voltage:800V AC/Minute
 Insulation Resistance:1000MΩ min
 Operation Temperature: -25°C to +85°C

Ordering Information

WF 2008 - T P SN 0 1

- Contact Plating
- G0=Gold Flash
- G1=3u"Gold
- G2=5u"Gold
- G3=10u"Gold
- G4=15u"Gold
- G5=30u"Gold
- S0=Gold Flash/Tin
- S1=3u"Gold/Tin
- S2=5u"Gold/Tin
- S3=10u"Gold/Tin
- S4=15u"Gold/Tin
- S5=30u"Gold/Tin
- SN=Tin



Specification & Ordering Information:

Part No.	Thickness	Material	Finish	Wire Range	Insulation O.D	Qty/Reel
WF2008-TPSN01	0.15	Phosphor bronze	Tin-Plated	AWG#24~#30	1.40mm Max.	10,000PCS

OPERATION	DRAW	William Chen	08.08.07	SCALE	1:1	WCON 维峰五金电子有限公司 WAFE HARDWARE ELECTRONICS CO.,LTD
DESIGN	CHECK			UNIT	mm	
DESIGN	CHECK			SIZE	A4	
ANGLE	± 3'	APPROVE		SHEET	1/1	PART NO.
ANGLE	± 3'	APPROVE		PROJ.		TITLE:
DATE	DESCRIPTION	CHANGE	APPROVE			CUSTOMER NO.
08/08/07	NEW					2.00mm TERMINAL
REV	DATE	MODIFICATION	DESCRIPTION	CHANGE	APPROVE	