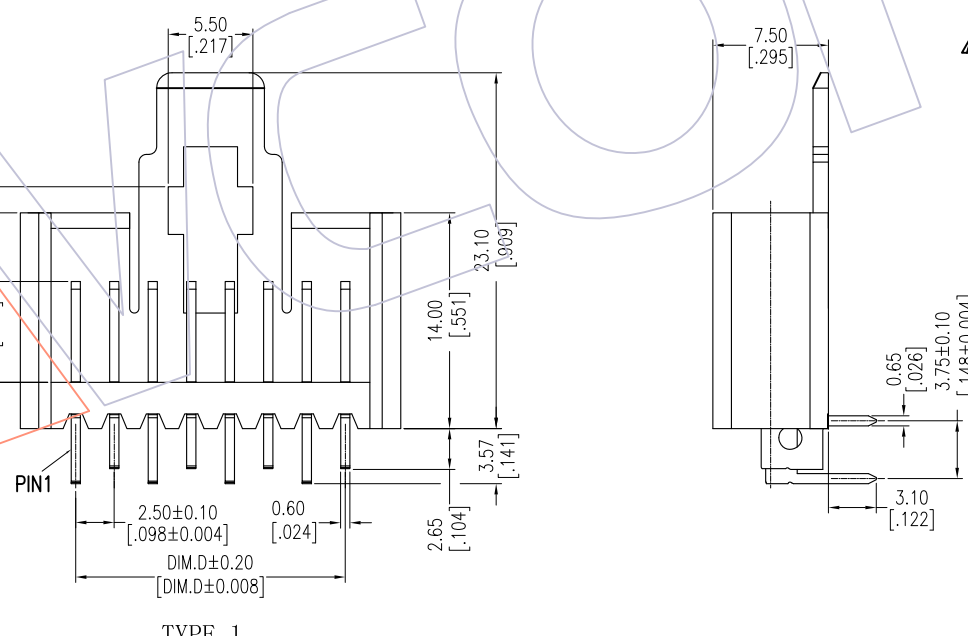
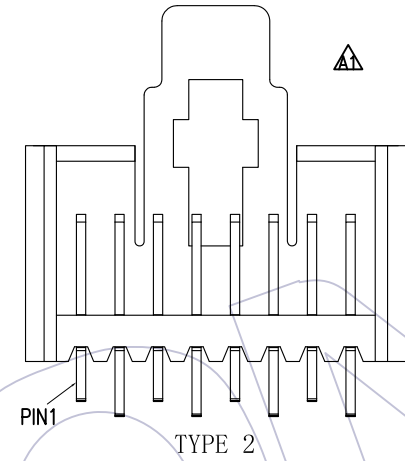
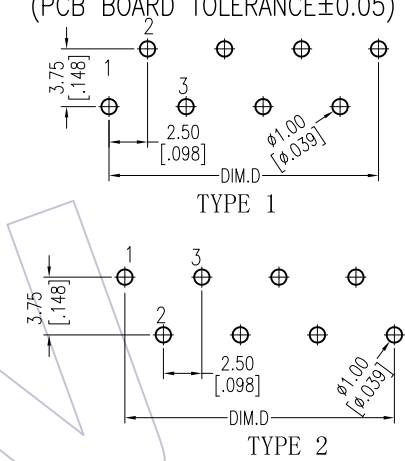
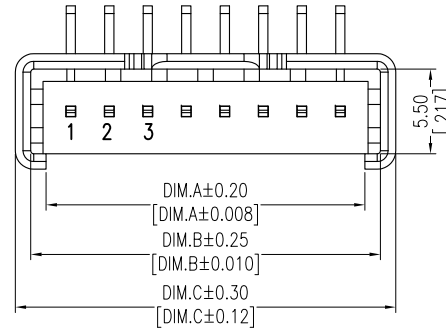


HSF

NOTES:
 Current Rating: 5.0AMP
 Contact Resistance: 10mΩ Max
 Withstand Voltage: 1500V AC/DC
 Insulation Resistance: 1000MΩ Min
 Operation Temperature: -40°C to +105°C

Contact Material: Brass
 Contact plating: Matte Sn over Ni
 Insulator Material: PBT+30%G.F UL94V-0

Recommended P.C.B Layout (Top Side)
 (PCB BOARD TOLERANCE ±0.05)



PIN	DIM.A	DIM.B	DIM.C	DIM.D
4P	10.70	12.70	14.70	7.50
5P	13.20	15.20	17.20	10.00
6P	15.70	17.70	19.70	12.50
7P	18.20	20.20	22.20	15.00
8P	20.70	22.70	24.70	17.50
9P	23.20	25.20	27.20	20.00
10P	25.70	27.70	29.70	22.50
11P	28.20	30.20	32.20	25.00
12P	30.70	32.70	34.70	27.50
13P	33.20	35.20	37.20	30.00
14P	35.70	37.70	39.70	32.50
15P	38.20	40.20	42.20	35.00
16P	40.70	42.70	44.70	37.50
17P	43.20	45.20	47.20	40.00
18P	45.70	47.70	49.70	42.50
19P	48.20	50.20	52.20	45.00
20P	50.70	52.70	54.70	47.50

Ordering Information

WF2512-WR **XX** **G** **A** **X**

No. of pins
04~20P
Color
G-Grey
Packing
A=Tray
SERIES
4=TYPE 1
6=TYPE 2

REV	DATE	MODIFICATION DESCRIPTION	CHANGE	OPERATION	DRAW	DATE	SCALE	FIT	PART NO.
A2	2017/03/24	Modify PART NO.	△	x.x ±0.40	Ding	2017/03/24	UNIT	mm	WF2512-WRXXGA4 (06) △
A1	2016/06/06	Modify	-----	x.xx ±0.25	CHECK	DATE	SIZE	A4	TITLE: 2.50mm Pitch Wafer 90° With Latch 错位正向
AO	2014/11/10	NEW	-----	x.xxx ±0.15	APPROVE	DATE	SHEET	1/1	Customer NO.
				Angle ± 3'			PROJ.		
				DIM TOL					

WCON
 Http: www.wcon.com

WCON-Dongguan
 Tel: +86 769 85358920
 Fax: +86 769 85358915
 E-mail: sales@wcon.com

WCON-Kunshan
 Tel: +86 512 57468408
 Fax: +86 512 57468468
 E-mail: sales@wcon.com