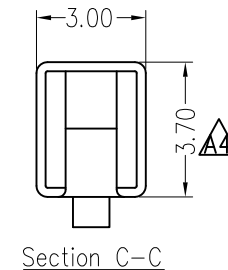
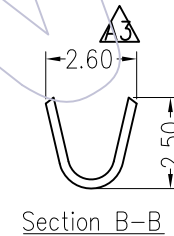
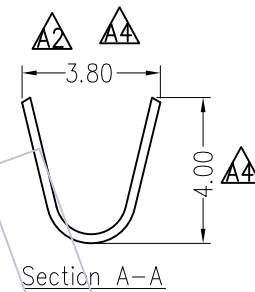
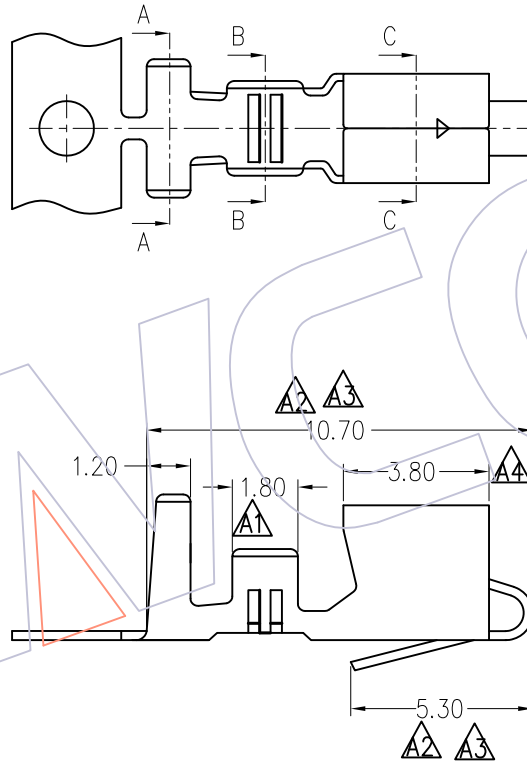


HSF

NOTES:

Rated Current:7.0AMP
 Rated Voltage:250V AC/DC
 Contact Resistance:10mΩ max
 Withstand Voltage:1500V AC/Minute
 Insulation Resistance:1000MΩ min
 Operation Temperature:-25℃ to +85℃



Ordering Information

WF 3963 - T X XX 0 1

Material	Contact Plating
P=Phosphor bronze	G0=Gold Flash
B=Brass	G3=10u"Gold
	G4=15u"Gold
	G5=30u"Gold
	S0=Gold Flash/Tin
	S3=10u"Gold/Tin
	S4=15u"Gold/Tin
	S5=30u"Gold/Tin
	SN=Tin

Specification & Ordering Information:

Part No.	Thickness	Material	Finish	Wire Range	Insulation O.D	Q'ty/Reel
WF3963-TPXX01	0.25	Phosphor bronze	Tin/Gold-Plated	AWG#18~#22	1.60~2.10mm	4,000PCS
WF3963-TBXX01	0.25	Brass	Tin/Gold-Plated	AWG#18~#22	1.60~2.10mm	4,000PCS

REV	DATE	MODIFICATION DESCRIPTION	CHANGE	DIM	TOL	OPERATION	DRAW	DATE	SCALE	FIT	PART NO.	 Http: www.wcon.com WCON-Dongguan Tel: +86 769 85358920 WCON-Kunshan Tel: +86 512 57468408 Fax: +86 769 85358915 E-mail: sales@wcon.com
A4	2017/05/17	Modify The Dim.	---			OPERATION	Ding	2017/05/17	UNIT	mm	WF3963-TXXX01	
A3	2015/03/12	Modify The Dim.	---	X.X	±0.40	CHECK	DATE	SIZE	A4	TITLE:		
A2	2014/08/12	Modify The Dim.	---	X.XX	±0.25						VH 3.96 WAFER TERMINAL	
A0	2008/07/19	NEW	---	X.XXX	±0.15						Customer NO.	
				Angle	± 3'	APPROVE	DATE		SHEET	1/1		
									PROJ.			