

NOTES:

1. Electrical Performance:
 - 1-1. Current Rating:
 - 2.0A per pin for ;
 - 1-2. Withstand Voltage: 1000V AC.
 - 1-3. Contact Resistance: 20mΩ Max.
 - 1-4. Insulation Resistance: 1000MΩ Min.
 - 1-5. Operation Temperature: -55°C to +105°C
2. Material:
 - 2-1. Housing: P666, Black; UL-94V-0.
 - 2-2. Contact: Copper alloy, square.
3. Plating:
 - 3-1. Contact: 200u" Min, Matte Tin Plating
4. Finish:
 - 4-1. Post type: 02P~24P

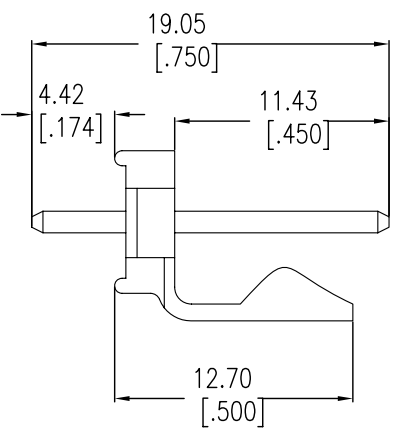
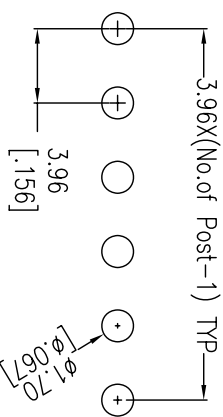
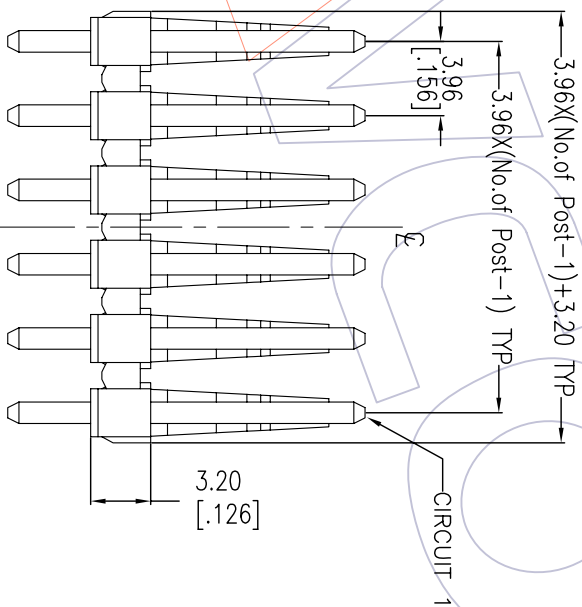
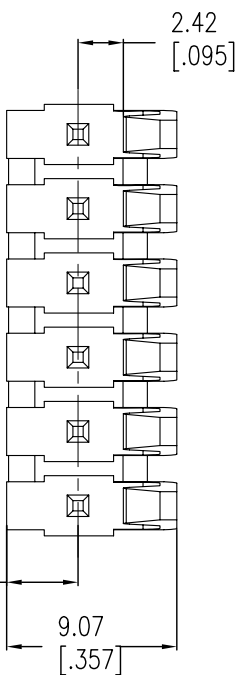
Ordering Information

WF3968-WS **XX** **X** **01**

No. of Pins
02P-15P

Color
W= White
B= Black
U= Blue
E= Beige

Packing
0=PE Bag



REV	DATE	MODIFICATION DESCRIPTION	CHANGE	APPROVE	OPERATION	DRAW	MY Q	SCALE	FIT	PROJ.
A0	2011.07.15	NEW			XX ±0.40	DESIGN	2011.07.15	A4	mm	Customer NO.
					X.XX ±0.25	CHECK		1/1		
					X.XXX ±0.15					
					Angle ± 3'					
					DIM TOL					

WCON 维峰五金电子有限公司
WAVE HARDWARE ELECTRONICS CO. LTD

PART NO. WF3968-WSXXX01

TITLE: 3.96DITCH PIN HEADER

RECOMMEND PCB LAYOUT
TOLERANCE IS ±0.05