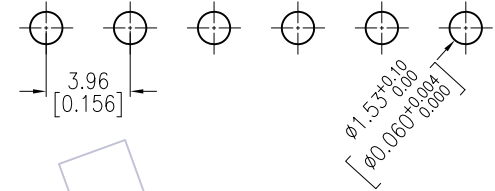
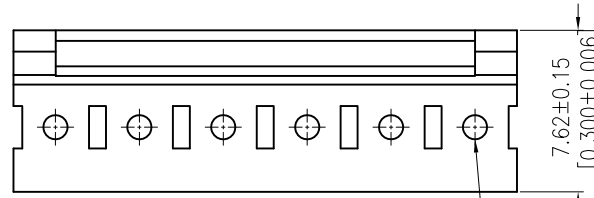


HSF

Recommended P.C.B Layout(Top Side)
(PCB BOARD TOLERANCE±0.05)

NOTES:
 Rated Current:7.0A
 Contact Resistance:20mΩ max
 Withstand Voltage:1000V AC/Minute
 Insulation Resistance:1000MΩ min
 Operation Temperature:-40°C to +105°C

Contact Material:Brass
 Contact Plating:Sn Over Ni
 Insulator Material:PA66 OR PA46 UL94-V0



Ordering Information

WF3967A- WS XX X 0 X

H=PA46
Blank=PA66

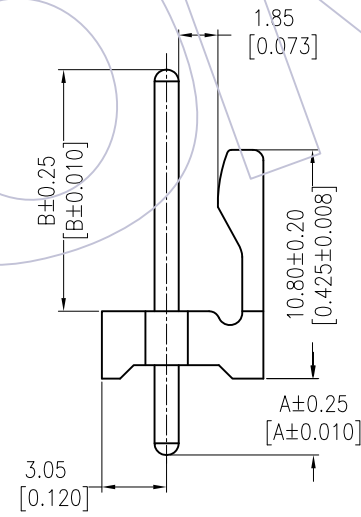
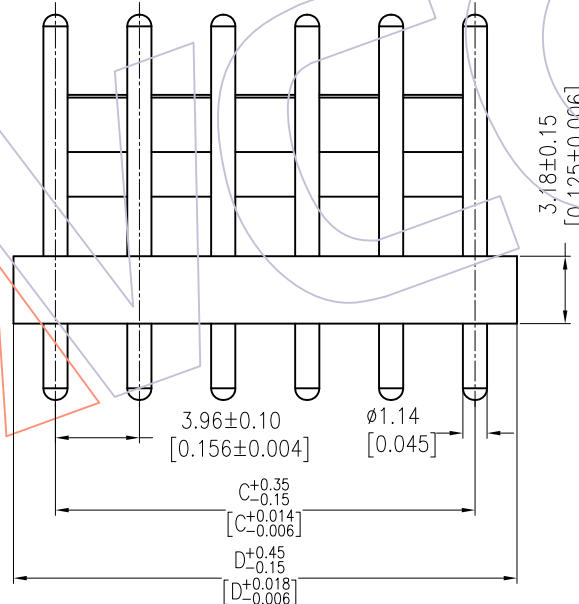
No.of Pins
02~20Pin

Contact Plating
S0=Gold Flash/Tin
S3=10u"Gold/Tin
S4=15u"Gold/Tin
S5=30u"Gold/Tin
G0=Gold Flash
G3=10u"Gold
G4=15u"Gold
G5=30u"Gold
Blank=Tin

Color
W= White
B=Black

Packing
0=PE Bag

Series No.
1=Type 1
2=Type 2



Dimensional & Ordering Information

Circuit	Part No.	Dimension	
		C	D
02	WF3967A-WS02XOX	3.96	7.92
03	WF3967A-WS03XOX	7.92	11.88
04	WF3967A-WS04XOX	11.88	15.84
05	WF3967A-WS05XOX	15.84	19.80
06	WF3967A-WS06XOX	19.80	23.76
07	WF3967A-WS07XOX	23.76	27.72
08	WF3967A-WS08WOX	27.72	31.68
09	WF3967A-WS09XOX	31.68	35.64
10	WF3967A-WS10XOX	35.64	39.60
11	WF3967A-WS11XOX	39.60	43.56
12	WF3967A-WS12XOX	43.56	47.52
13	WF3967A-WS13XOX	47.52	51.48
14	WF3967A-WS14XOX	51.48	55.44
15	WF3967A-WS15XOX	55.44	59.40
16	WF3967A-WS16XOX	59.40	63.36
17	WF3967A-WS17XOX	63.36	67.32
18	WF3967A-WS18XOX	67.32	71.28
19	WF3967A-WS19XOX	71.28	75.24
20	WF3967A-WS20XOX	75.24	79.20

ITEM	A	B
Standard	3.60	11.40
Alternate		

REV	DATE	MODIFICATION DESCRIPTION	CHANGE	OPERATION	DRAW	DATE	SCALE	FIT	PART NO.
A1	2016. 10. 31	端子第1 PIN位置变更	△	x.x ±0.40	DingWenMin	2016. 10. 31	UNIT mm		SEE TAB
A0	2014/08/09	NEW	----	x.xx ±0.25	CHECK	DATE	SIZE A4		TITLE:
				x.xxx ±0.15	APPROVE	DATE	SHEET 1/1		VH 3.96 WAFER 180° DIP (ROUND PIN)
				Angle ± 3'			PROJ.		Customer NO.
				DIM TOL					

WCON
 Http: www.wcon.com

WCON-Dongguan
 Tel: +86 769 85358920
 Fax: +86 769 85358915
 E-mail: sales@wcon.com

WCON-Kunshan
 Tel: +86 512 57468408
 Fax: +86 512 57468468
 E-mail: salesks@wcon.com