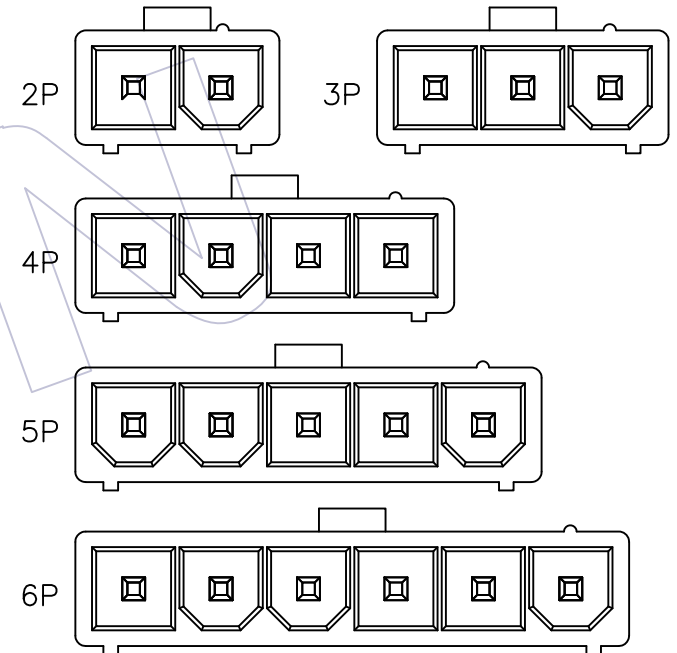
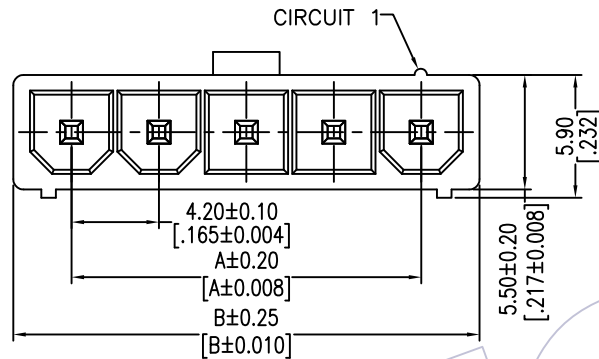
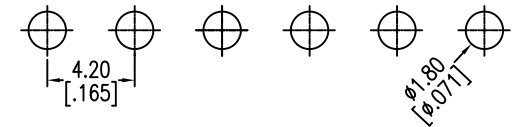


HSF

NOTES:
 Rated Current:9.0A
 Contact Resistance:30mΩ max
 Withstand Voltage:1000V AC/Minute
 Insulation Resistance:1000MΩ min
 Operation Temperature:-25℃ to+85℃

Contact Material:Brass
 Contact Plating:Au Or Sn over Ni
 Insulator Material:PA66 UL94V-0

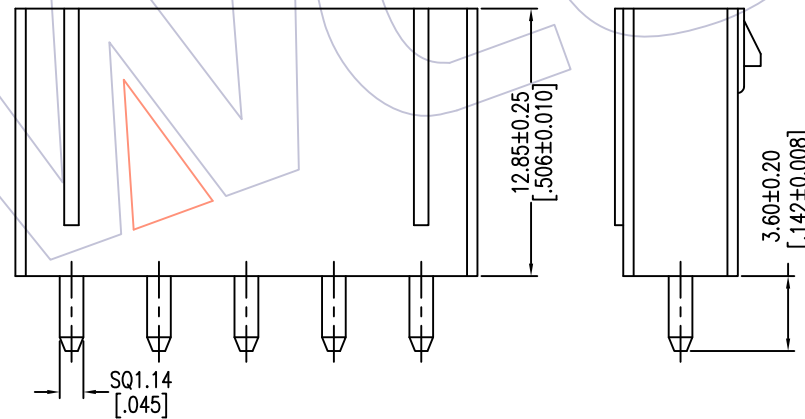
Recommended P.C.B Layout(Top Side)
 (PCB BOARD TOLERANCE±0.05)



Ordering Information

WF4202 -1 WS XX W 0 1

- No. of Row Single Row
- No. of pins 02-05P
- Contact Plating
 S0=Gold Flash/Tin
 S3=10u"Gold/Tin
 S4=15u"Gold/Tin
 S5=30u"Gold/Tin
 G0=Gold Flash
 G3=10u"Gold
 G4=15u"Gold
 G5=30u"Gold
 Blank=Tin
- Color
 B=Black
 W=White
- Packing
 0=PE Bag



Specification & Ordering Information:

Circuit	Part No.	Dimension	
		A	B
02	WF4202-1WS02W01	4.20	9.80
03	WF4202-1WS03W01	8.40	14.00
04	WF4202-1WS04W01	12.60	18.20
05	WF4202-1WS05W01	16.80	22.40
06	WF4202-1WS06W01	21.00	26.60

OPERATION		DRAW Ding	DATE 2017/02/09	SCALE UNIT	FIT mm inch	PART NO. SEE TAB	TITLE: 4.20 WAFER SINGLE ROW 180° DIP	Customer NO.
X.X	±0.40							
A1	2017/02/09	依实物修改图面	△	X.XX	±0.25	CHECK	DATE	SHEET 1/1
AO	2012/09/17	NEW	—	X.XXX	±0.15	APPROVE	DATE	PROJ.
REV	DATE	MODIFICATION DESCRIPTION	CHANGE	Angle	± 3'			
				DIM	TOL			

WCON
 Http: www.wcon.com

WCON-Dongguan Tel: +86 769 85358920 Fax: +86 769 85358915 E-mail: sales@wcon.com
 WCON-Kunshan Tel: +86 512 57468408 Fax: +86 512 57468468 E-mail: salesks@wcon.com