

NOTES:

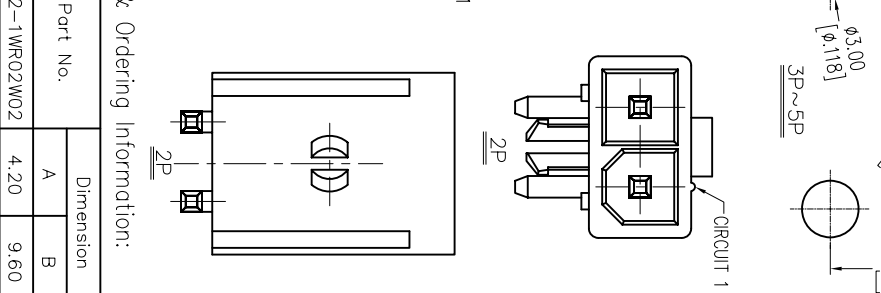
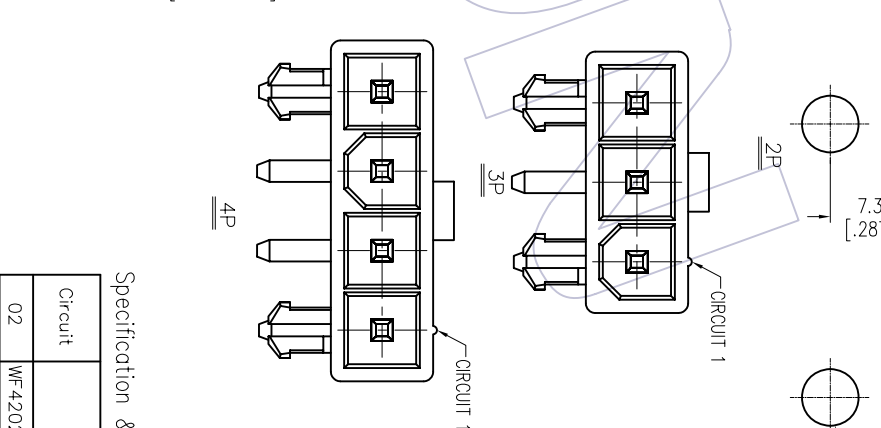
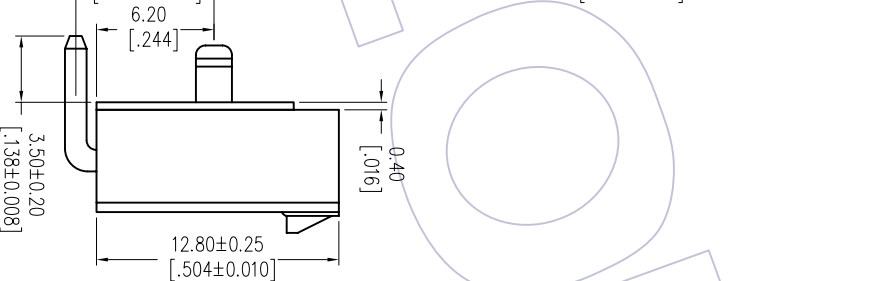
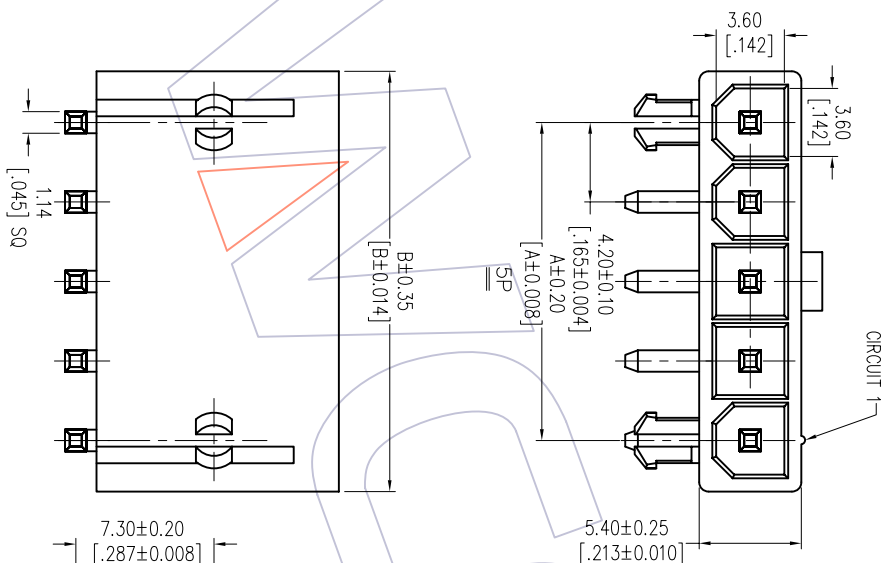
Rated Current: 9.0A
 Contact Resistance: 30mΩ max
 Withstand Voltage: 1000V AC/Minute
 Insulation Resistance: 1000MΩ min
 Operation Temperature: -25°C to +85°C

Contact Material: Brass
 Contact Plating: Au Or Sn over Ni
 Insulator Material: PA66(UL94V-0)

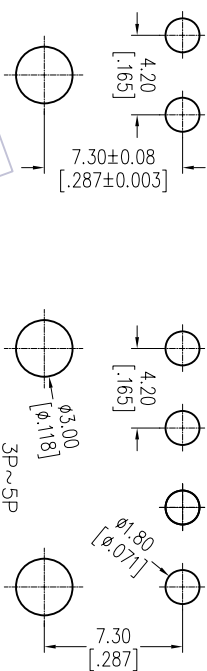
Ordering Information

WF4202-1WR XX W 0 2

No. of Rows: 02-05P
 No. of pins: Contact Plating
 Single Row: S=Gold Plating, B=Black, W=White, T=Tube
 Color: S=Gold Plating, B=Black, W=White, T=Tube
 Packing: 0=PE Bag, 1=Tube
 No. of Rows: 02-05P
 Contact Plating: S=Gold Plating, B=Black, W=White, T=Tube
 Color: S=Gold Plating, B=Black, W=White, T=Tube
 Packing: 0=PE Bag, 1=Tube
 No. of Rows: 02-05P
 Contact Plating: S=Gold Plating, B=Black, W=White, T=Tube
 Color: S=Gold Plating, B=Black, W=White, T=Tube
 Packing: 0=PE Bag, 1=Tube



Recommended P.C.B Layout (Top Side)
 (PCB BOARD TOLERANCE±0.05)



Specification & Ordering Information:

Circuit	Part No.	Dimension	
		A	B
02	WF4202-1WR02W02	4.20	9.60
03	WF4202-1WR03W02	8.40	13.80
04	WF4202-1WR04W02	12.60	18.00
05	WF4202-1WR05W02	16.80	22.20



Http: www.wcon.com

WCON-Dongguan Tel: +86 512 57468408

WCON-Kunshan Tel: +86 512 57468408

Tel: +86 769 85358920 Fax: +86 512 57468468

Fax: +86 769 85358915 E-mail: sales@wcon.com

E-mail: sales@wcon.com E-mail: sales@wcon.com

OPERATION	DRAW	DATE	SCALE	FIT	PART NO.
X.X	JYHuang	2012/09/17	mm	A4	SEE TAB
X.XX	CHECK	DATE	SIZE	SHEET	TITLE:
X.XXX			A4	1/1	4.20 WAFER SINGLE ROW 90° DIP WITH POST
Angle	APPROVE	DATE	PROJ.		Customer NO.
± 3'					

CHANGE	DIM	TOL

REV	DATE	MODIFICATION DESCRIPTION
A0	2012/09/17	NEW

REV	DATE	MODIFICATION DESCRIPTION
A0	2012/09/17	NEW