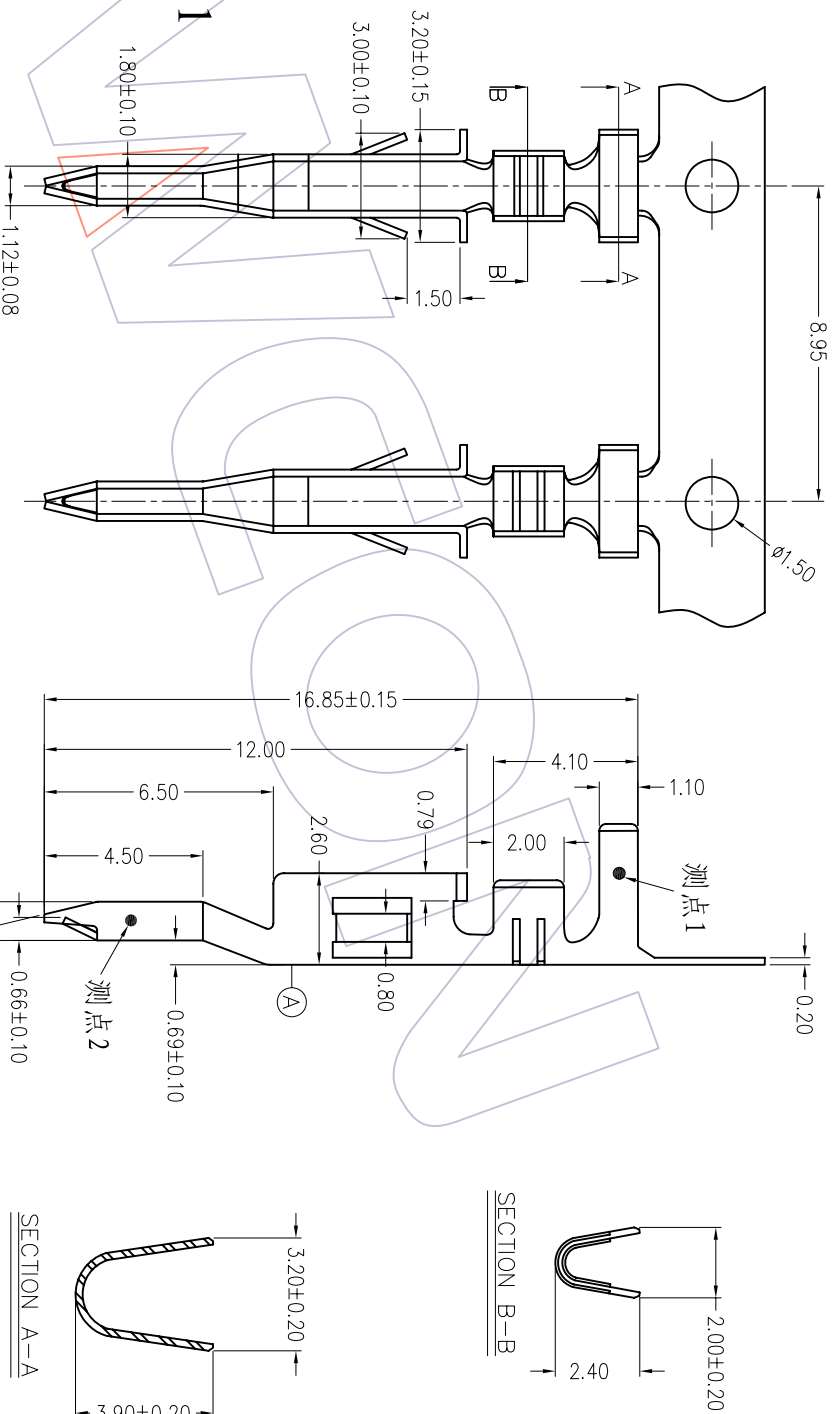


HSP

NOTES:

Rated Current: 9.0A
 Contact Resistance: 20mΩ max
 Withstand Voltage: 1500V AC/Minute
 Insulation Resistance: 1000MΩ min
 Operation Temperature: -25°C to +85°C



Ordering Information

WF4202 - M T X XX 01

Material:
 B=Bronze
 P=Phosphor

Contact Plating:
 G0=Gold Flash
 G3=10µ"Gold
 G4=15µ"Gold
 G5=30µ"Gold
 S0=Gold Flash/Tin
 S3=10µ"Gold/Tin
 S4=15µ"Gold/Tin
 S5=30µ"Gold/Tin
 SN=Tin

Dimensional & Ordering Information

Part No.	Thickness	Finish	Material	Wire Range	Insulation O.D	Qty./Reel
WF4202-TBG002	0.20	Gold-flash	Brass	AWG#18~#24	3.10mm(Max)	5,000pcs
WF4202-TBSN02	0.20	Tin-Plated	Brass	AWG#18~#24		5,000pcs

OPERATION
 X.X ±0.40
 X.XX ±0.25
 X.XXX ±0.15

ANGLE
 DIM TOL

CHECK
 DATE

APPROVE
 DATE

SCALE
 FIT

UNIT
 SIZE

SHEET
 1/1

PROJ.
 CUSTOMER NO.

WCON

Http: www.wcon.com

WCON-Dongguan
 Tel: +86 769 85358920

WCON-Kunshan
 Tel: +86 512 57468408

Fax: +86 769 85358915

Fax: +86 512 57468468

E-mail: sales@wcon.com

E-mail: sales@wcon.com

OPERATION
 X.X ±0.40

ANGLE
 DIM TOL

CHECK
 DATE

APPROVE
 DATE

SCALE
 FIT

UNIT
 SIZE

SHEET
 1/1

PROJ.
 CUSTOMER NO.

REV
 DATE

MODIFICATION DESCRIPTION
 CHANGE