

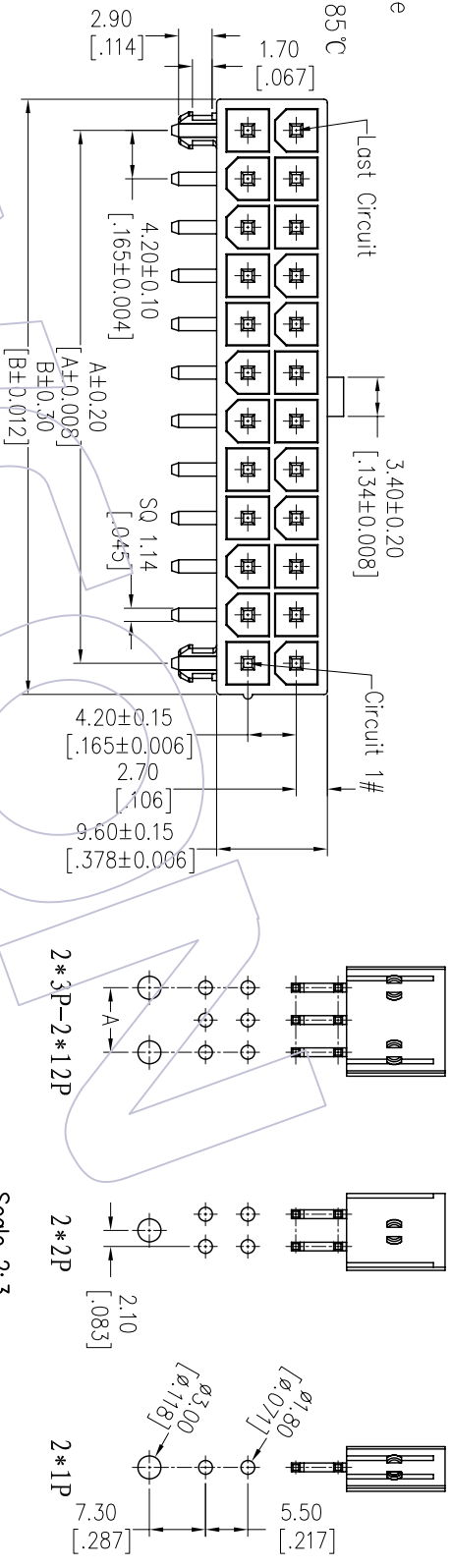
HSP

Recommended P.C.B Layout (Top Side)
(PCB BOARD TOLERANCE±0.05)

NOTES:

Rated Current: 9.0AMP
Contact Resistance: 30mΩ max
Withstand Voltage: 1500V AC/minute
Insulation Resistance: 1000MΩ min
Operation Temperature: -25°C to +85°C

Contact Material: Brass
Contact plating: Au Or Sn Over Ni
Insulator Material: PA66 Or PA46

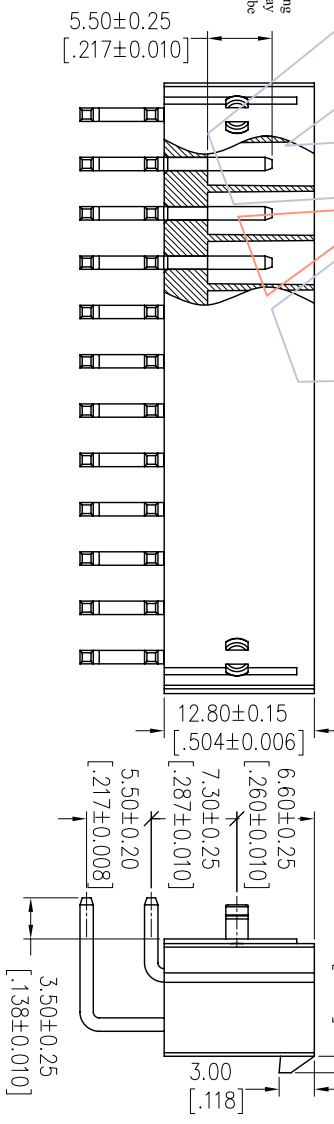


Scale 2:3

Ordering Information

WF4202-2 WR XX W A 2

No. of Rows: 01-12P
No. of Pins: Sp=Gold Flash/Tin B=Black A=Tray T=Tube
Dual Row: H=PA46
Blank=PA66
SS=00r Gold/Tin
G3=100r Gold
G4=150r Gold
G5=300r Gold
Blank=Tin
Contact Plating: Sp=Gold Flash/Tin B=Black A=Tray T=Tube
Color: B=Black A=Tray T=Tube
Packing: A=Tray T=Tube



Specification & Ordering Information:

Circuit	Part No.	Dimension		Pos /Tray
		A	B	
2x01	WF4202-2WR01WA2	---	5.40	410
2x02	WF4202-2WR02WA2	4.20	9.60	230
2x03	WF4202-2WR03WA2	8.40	13.80	160
2x04	WF4202-2WR04WA2	12.60	18.00	130
2x05	WF4202-2WR05WA2	16.80	22.20	100
2x06	WF4202-2WR06WA2	21.00	26.40	80
2x07	WF4202-2WR07WA2	25.20	30.60	70
2x08	WF4202-2WR08WA2	29.40	34.80	60
2x09	WF4202-2WR09WA2	33.60	39.00	60
2x10	WF4202-2WR10WA2	37.80	43.20	50
2x11	WF4202-2WR11WA2	42.00	47.40	50
2x12	WF4202-2WR12WA2	46.20	51.60	40

WCON

WCON-Dongguan
Http: www.wcon.com

WCON-Kunshan

Tel: +86 769 85358920
Tel: +86 512 57468408
Fax: +86 769 85358915
Fax: +86 512 57468468
E-mail: sales@wcon.com
E-mail: sales@wcon.com

OPERATION
X.X ±0.40

DRAW
JYHuang

DATE
2012/09/19

SCALE
UNIT mm

FIT
A4

PART NO.
SEE TAB

TITLE:
4.20 MINI FIT DUAL ROW
90° WITH POST

CHECK
±0.25

DATE

APPROVE

ANGLE
X.XXX ±0.15

CHANGE

DATE

SHEET
1/2

CUSTOMER NO.

PROJ.

DATE

APPROVE

DATE

DATE

REV
DATE

MODIFICATION DESCRIPTION

CHANGE

DATE

DATE

DATE

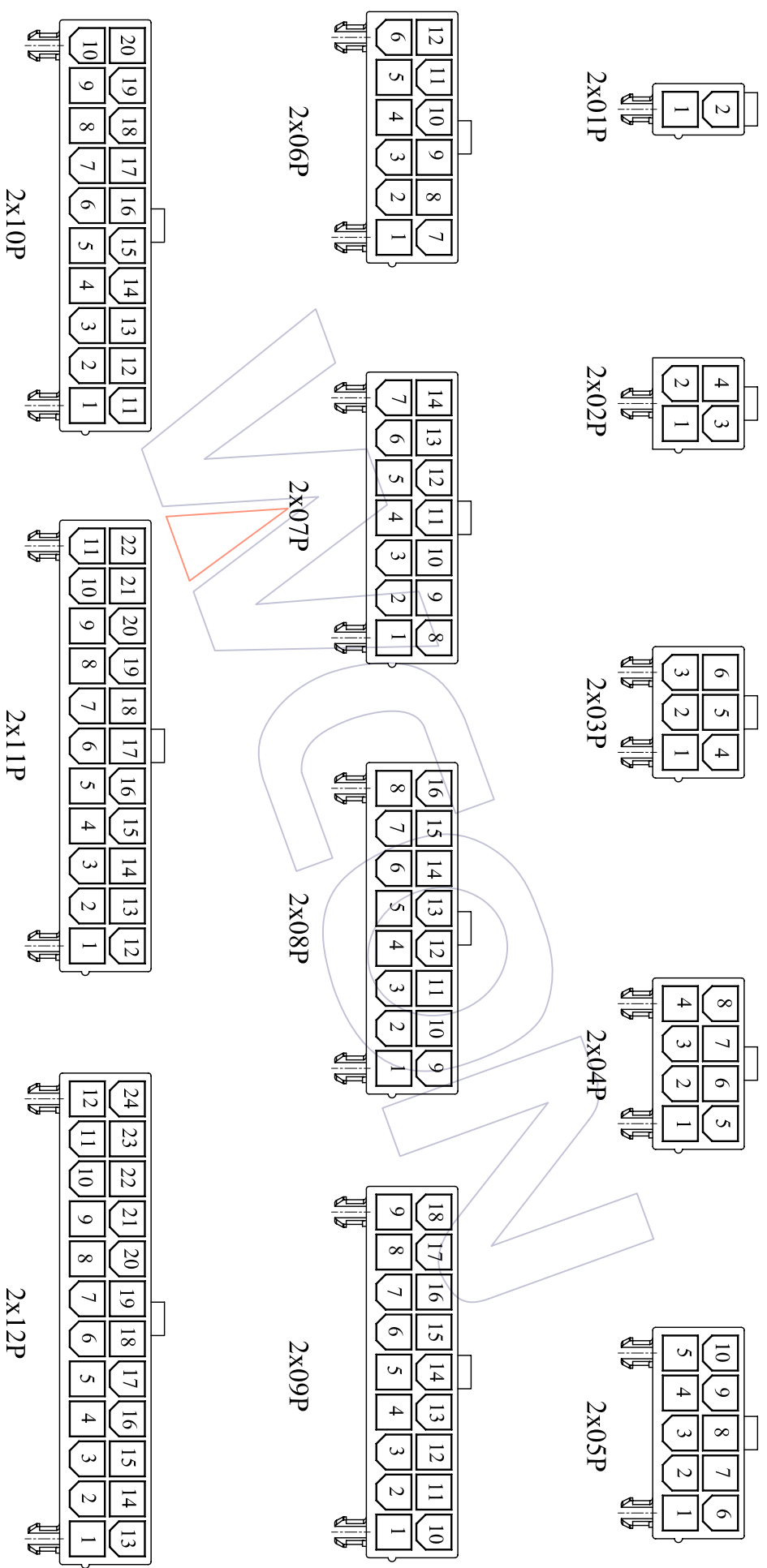
DATE

DATE

DATE

DATE

HSH



REV	DATE	MODIFICATION DESCRIPTION	CHANGE	OPERATION	DRAW	DATE	SCALE	FIT	PART NO.	WCON Http: www.wcon.com WCON-Kunshan Tel: +86 512 57468408 Fax: +86 512 57468468 E-mail: sales@wcon.com
AO	2012/09/19	NEW		XX ±0.40	JYHuang	2012/09/19	UNIT mm		WF4202-2WRXXWA2	
				XXX ±0.25	CHECK	DATE	SIZE	A4	TITLE:	
				XXX ±0.15	APPROVE	DATE	SHEET	2/2	4.20 MINI FIT DUAL ROW	
				Angle ± 3'			PROJ.		90° WITH POST	
				DIM TOL					Customer NO.	

WCON

WCON-Dongguan
 Tel: +86 769 85358920
 Fax: +86 769 85358915
 E-mail: sales@wcon.com

WCON-Kunshan
 Tel: +86 512 57468408
 Fax: +86 512 57468468
 E-mail: sales@wcon.com