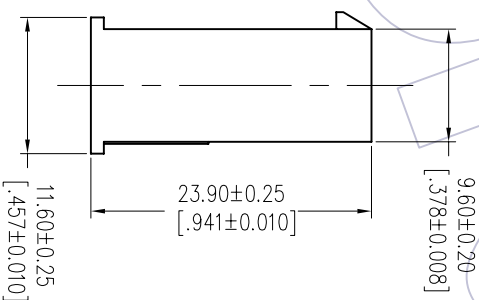
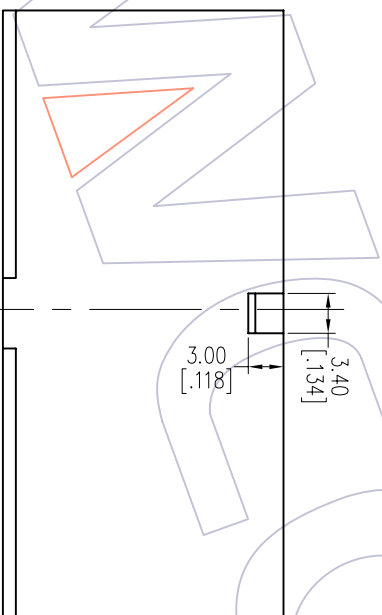
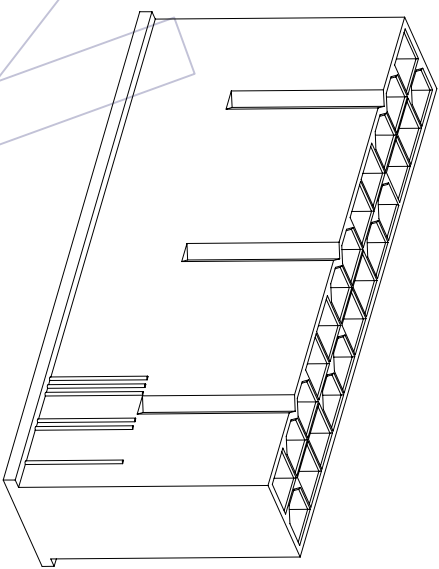
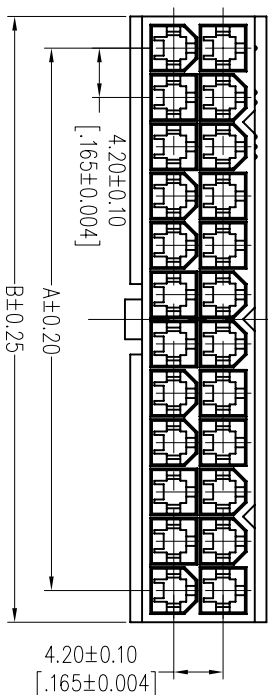


# HSF

NOTES:  
 Rated Current: 9.0A  
 Contact Resistance: 20mΩ max  
 Withstand Voltage: 1500V AC/Minute  
 Insulation Resistance: 1000MΩ min  
 Operation Temperature: -25°C to +85°C  
 Insulator Material: PA66  
 Used with: WF4202-MT(Male Terminal)



## Ordering Information

WF4202-2HK XX W 0 2

No. of Pins per  
01-12 Color Packing  
W=White 0=PE Bag

### Dimensional & Ordering Information

Circuit	Part No.	Dimension	
		A	B
2x01	WF4202-2HK01W02	---	5.40
2x02	WF4202-2HK02W02	4.20	9.60
2x03	WF4202-2HK03W02	8.40	13.80
2x04	WF4202-2HK04W02	12.60	18.00
2x05	WF4202-2HK05W02	16.80	22.20
2x06	WF4202-2HK06W02	21.00	26.40
2x07	WF4202-2HK07W02	25.20	30.60
2x08	WF4202-2HK08W02	29.40	34.80
2x09	WF4202-2HK09W02	33.60	39.00
2x10	WF4202-2HK10W02	37.80	43.20
2x11	WF4202-2HK11W02	42.00	47.40
2x12	WF4202-2HK12W02	46.20	51.60

OPERATION	DRAW	DATE	SCALE	FIT
XX	JYHuang	2012/09/17	UNIT	mm
±0.40	CHECK	DATE	SIZE	A4
±0.25	APPROVE	DATE	SHEET	1/2
±0.15	Angle	± 3'	PROJ.	1/2
±0.15				

PART NO. SEE TAB

### TITLE:

4.20mm Mini Fit Housing  
Dual Row Female

Customer NO.

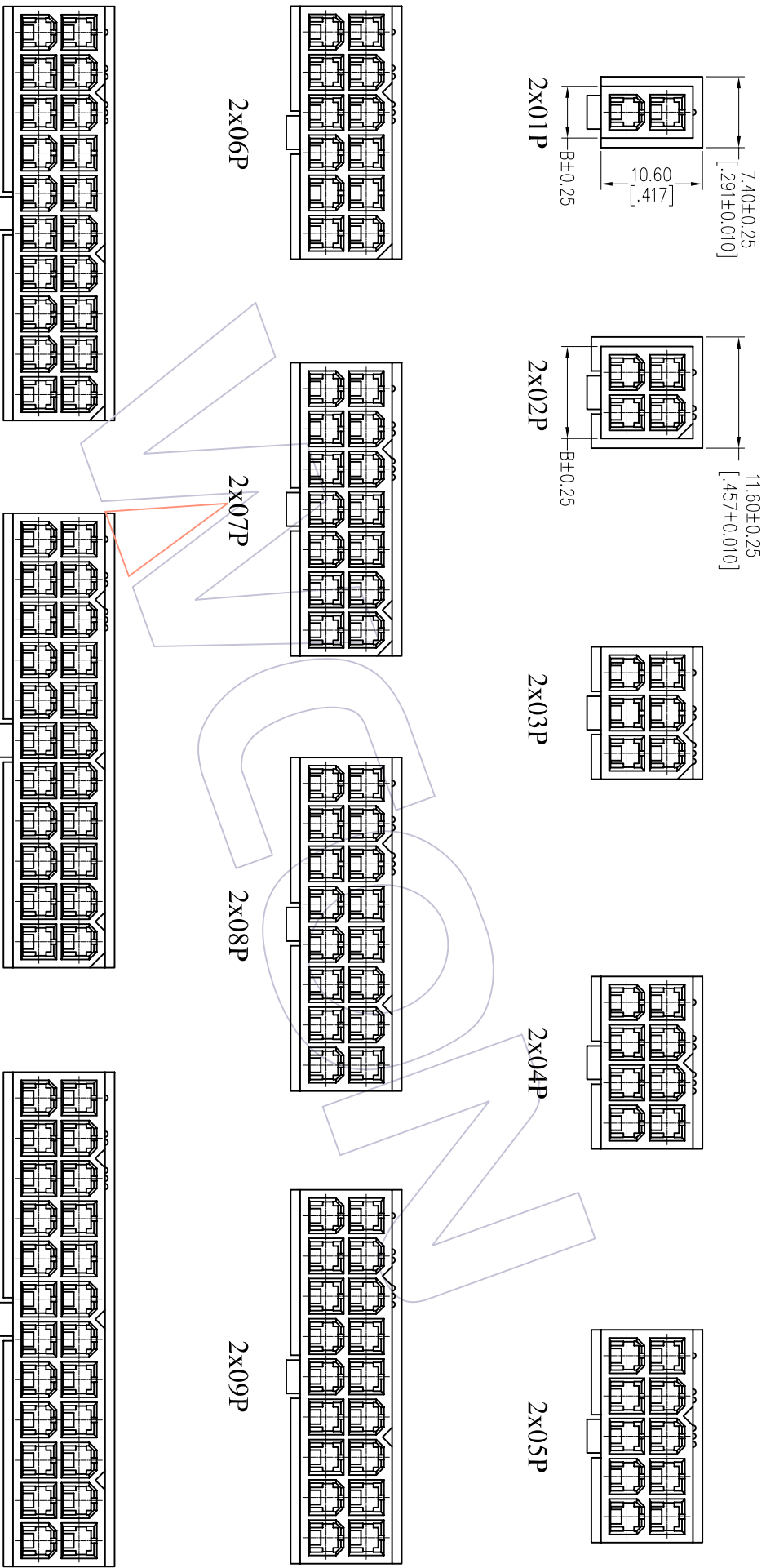
# WCON


Http: www.wcon.com

WCON-Dongguan Tel: +86 769 85358920  
 WCON-Kunshan Tel: +86 512 57468408  
 Fax: +86 769 85358915 Fax: +86 512 57468468  
 E-mail: sales@wcon.com E-mail: sales@wcon.com

REV	DATE	MODIFICATION DESCRIPTION	CHANGE
AO	2012/09/17	NEW	

# HSF



OPERATION		DRAW		PART NO.			
XX	±0.40	JYHuang	DATE	WF4202-2HKXXW02	WCON-Dongguan Http: www.wcon.com WCON-Kunshan		
XX	±0.25	CHECK	DATE	4.20mm Mini Fit Housing	Tel: +86 769 85358920 Fax: +86 769 85358915 E-mail: sales@wcon.com		
XX	±0.15	ANGLE	DATE	Dual Row Female	Tel: +86 512 57468408 Fax: +86 512 57468468 E-mail: sales@wcon.com		
Angle	± 3'	APPROVE	DATE	Customer NO.			
DIM	TOL	PROJ.	PROJ.				
REV	DATE	MODIFICATION DESCRIPTION	CHANGE				

AO	2012/09/17	NEW							
REV	DATE	MODIFICATION DESCRIPTION	CHANGE						