

HSF

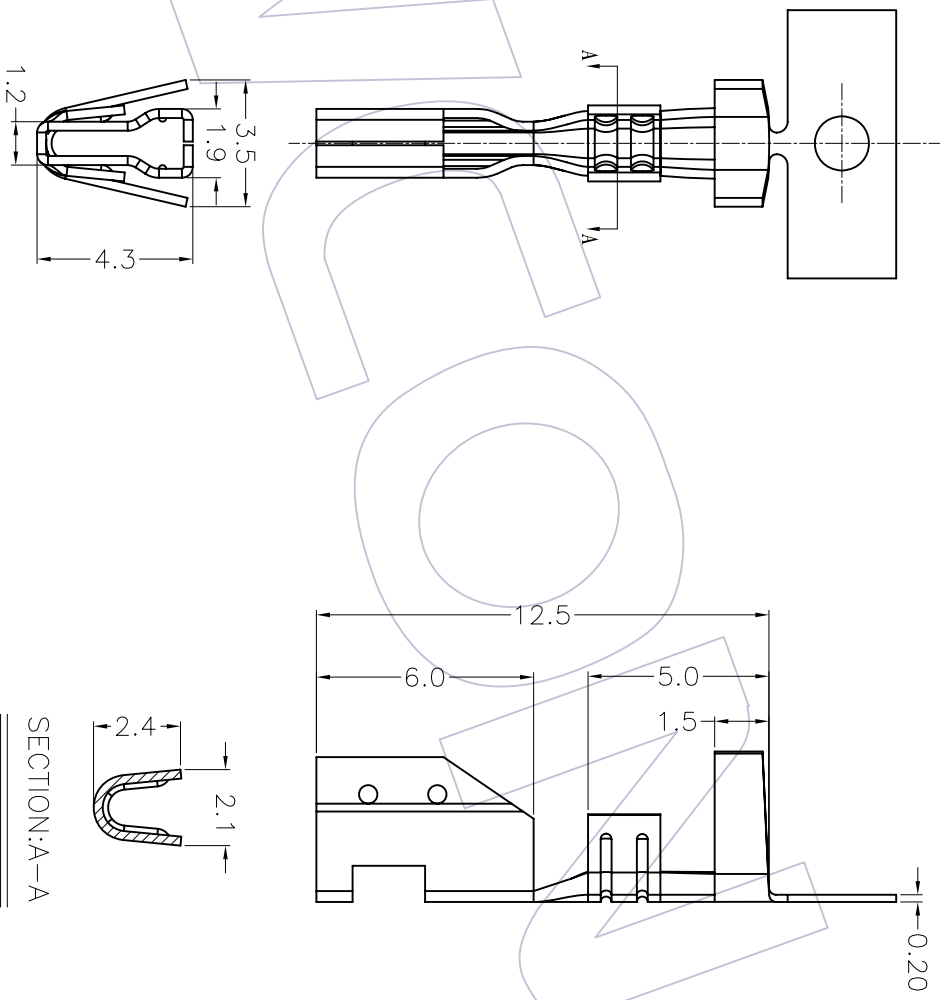
NOTES:

Current Rating:7.0A
Contact Resistance:20mΩ max
Withstand Voltage:1500V AC/minute
Insulation Resistance:1000MΩ min
Operation Temperature:-25°C to +85°C

Ordering Information

WF5081 - T B XX 0 1

Contact Plating:
G0=Gold Flash
G1=3µ"Gold
G2=5µ"Gold
G3=10µ"Gold
G4=15µ"Gold
G5=30µ"Gold
S0=Gold Flash/Tin
S1=3µ"Gold/Tin
S2=5µ"Gold/Tin
S3=10µ"Gold/Tin
S4=15µ"Gold/Tin
S5=30µ"Gold/Tin
SN=Tin



Dimensional & Ordering Information

Part No.	Thickness	Material	Finish	Wire Range	Insulation O.D
WF5081-TBXX01	0.20	Brass	Tin-Plated/Gold Flash	AWG#18~#24	2.80mm(Max)

OPERATION	DRAW	WEIXD	08/07/23	SCALE	4:1	UNIT	mm	PART NO.	SBE TAB
XXX	DESIGN								
XXX	CHECK			SIZE	A4				
XXX	CHECK			SHEET	1/1			TITLE:	
Angle	± 3'	APPROVE		PROJ.				Customer NO.	
DIM	TOL								

WCON 维峰五金电子有限公司
WAVE HARDWARE ELECTRONICS CO.,LTD
5.08 TERMINAL

REV	DATE	MODIFICATION DESCRIPTION	CHANGE	APPROVE
A0	08/07/23	NEW		