



TECHNICAL SPECS:

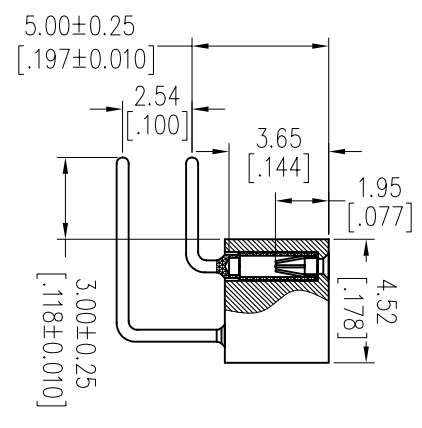
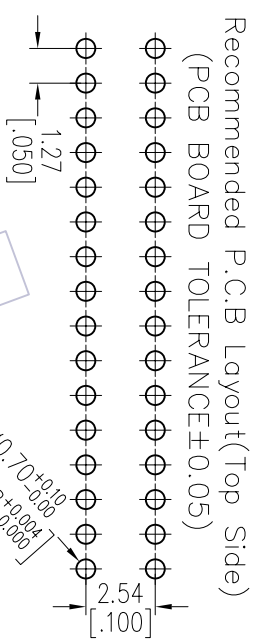
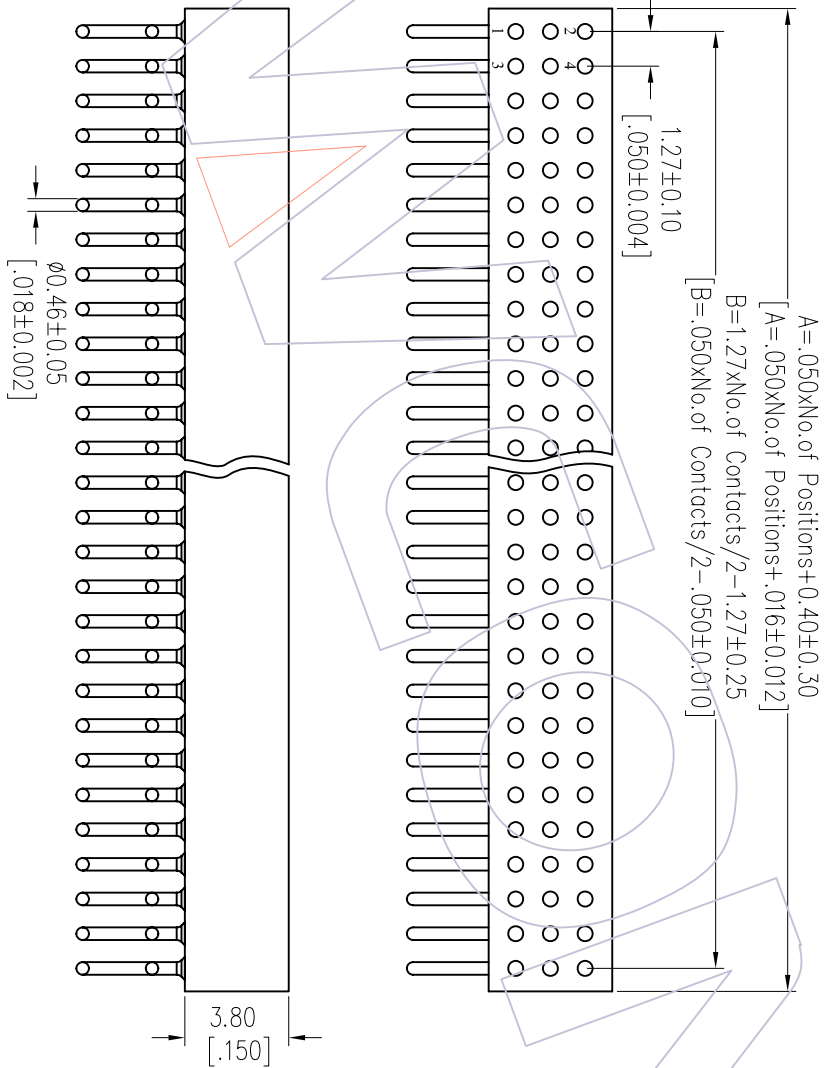
Current Rating: 1.0AMP
 Contact Resistance: 10m Ω Max
 Dielectric Strength: Min 500Vrms
 Mechanical Life: Min 500 cycles
 Mating Pin: $\phi 0.38$ to $\phi 0.50$ mm
 Forces: (polished steel gauge $\phi 0.41$ mm)
 Insertion: 150g Max/Pin, Withdrawal: 30g Min/Pin
 Operation Temperature: -40°C to +105°C

Sleeve: Brass CuZn36Pb3(C36000), Sn over Ni
 Contact Clip(6 finger): BeCu(C17200), Au or Sn over Ni
 Insulator Material: PPS+30%G.F(UL94V-0)

Ordering Information
 3525-382 XX R XX 089 X 1

No. of Pin: 2-50PIN
 Contact Plating:
 S0=Gold Flash/Tin
 S3=10u"Gold/Tin
 S4=15u"Gold/Tin
 S5=30u"Gold/Tin
 SN=Tin
 Packing:
 A=Tray
 T=Tube

Item	Pitch	Mating
Standard	1.27X2.54	3515
Alternate		



REV	DATE	MODIFICATION DESCRIPTION	CHANGE	OPERATION	DRAW	DATE	SCALE	FIT	PART NO.	TITLE: 1.27x2.54mm MACHINED FEMALE HEADER DUAL ROW 90° H=3.80	Customer NO.	WCON-Dongguan Http: www.wcon.com WCON-Kunshan
A0	2012/10/17	NEW	---	XX	JYHuang	2012/10/17	UNIT	mm	3525-382XXXXX089X1			
REV	DATE	MODIFICATION DESCRIPTION	CHANGE	DIW	CHECK	DATE	SIZE	A4				Tel: +86 769 85358920
					APPROVE	DATE	SHEET	1/1				Tel: +86 512 57468408
							PROJ.					Fax: +86 769 85358915
												Fax: +86 512 57468468
												E-mail: sales@wcon.com
												E-mail: sales@wcon.com



Recommended P.C.B Layout(Top Side)
 (PCB BOARD TOLERANCE±0.05)