

TECHNICAL SPECS:

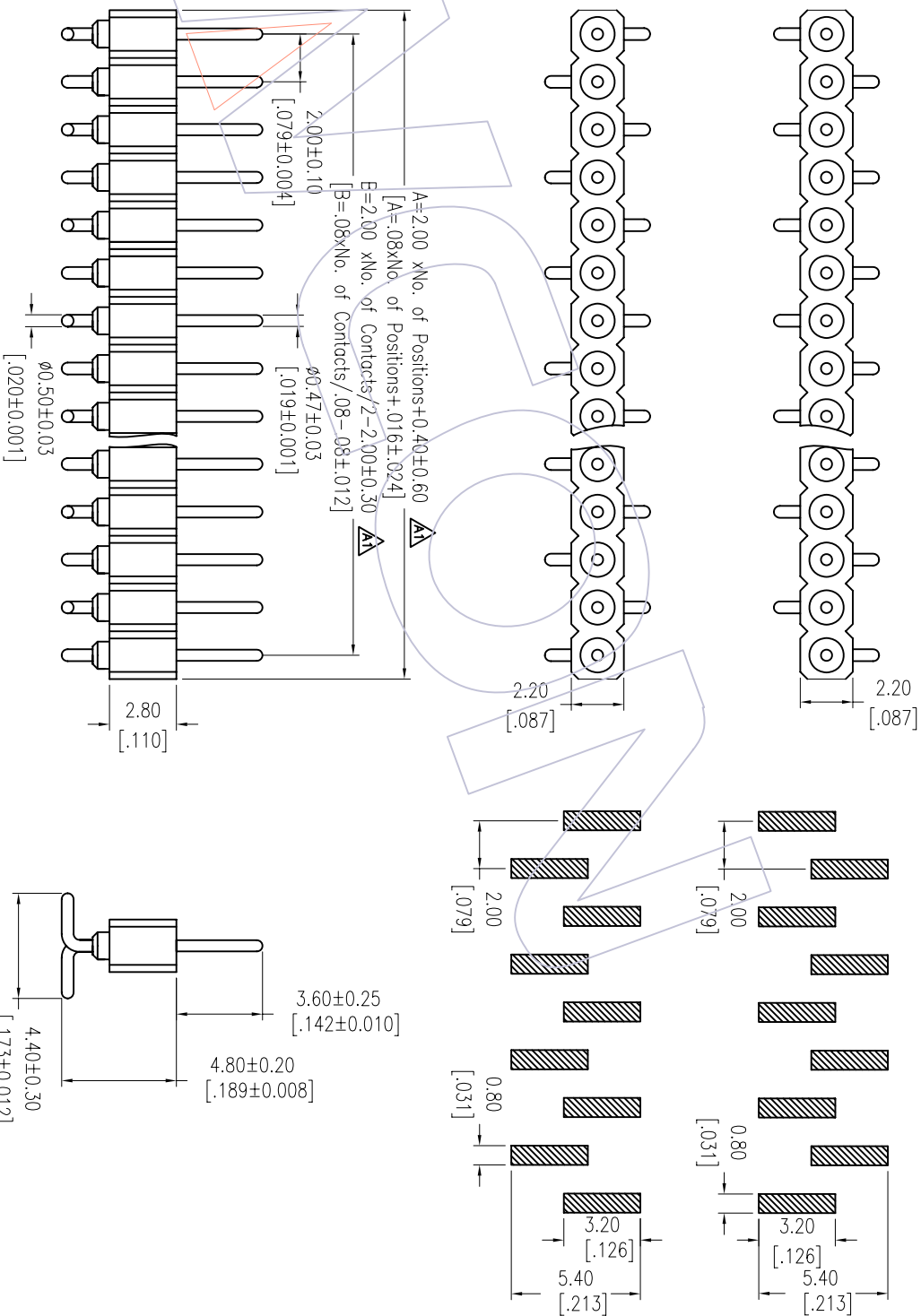
Current Rating:3.0AMP
 Contact Resistance:10mΩ Max
 Dielectric Strength: Min 1000Vrms
 Mechanical Life: Min 500 cycles
 Operation Temperature:-40°C to +105°C

Sleeve:Brass CuZn36Pb3(C36000)
 Connecting Pin:φ0.47mm
 Contact plating:Au or Sn over Ni
 Insulator Material:PPS+30%G.F(UL94V-0)
 Coplanarity SMD terminations:max 0.1mm
 (measured on 25mm long connectors)

Ordering Information

3512-281 XX M XX 100 X X

No. of Pin: 2-40PIN
 Contact Plating: G0=Gold Flash, G3=10u"Gold, G4=15u"Gold, G5=30u"Gold, SN=1in
 Packing: T=Tube
 Series No.: 1=Type 1, 2=Type 2



OPERATION	DRAW	DATE	SCALE	FIT	PART NO.
X.X	M.V.Q	2012/01/03	mm		3512-281XXMXX100XX
CHECK	CHECK	DATE	UNIT	SIZE	TITLE:
X.XXX			A4	2.00mm MACHINED PIN HEADER	
ANGLE	APPROVE	DATE	SHEET	1/1	SINGLE ROW 180° SMT H=2.80 L=10.0
± 3'			PROJ.		Customer NO.
DIM					
CHANGE					
REV	DATE	MODIFICATION DESCRIPTION			
A1	12/01/03	Modify drawing			
A0	09/02/26	NEW			
H					
G					
F					
E					
D					
C					
B					
A					



Http: www.wcon.com
 WCON-Dongguan
 Tel: +86 769 85358920
 Fax: +86 769 85358915
 E-mail: sales@wcon.com

WCON-Kunshan
 Tel: +86 512 57468408
 Fax: +86 512 57468468
 E-mail: wconks@wcon.com