

TECHNICAL SPECS:

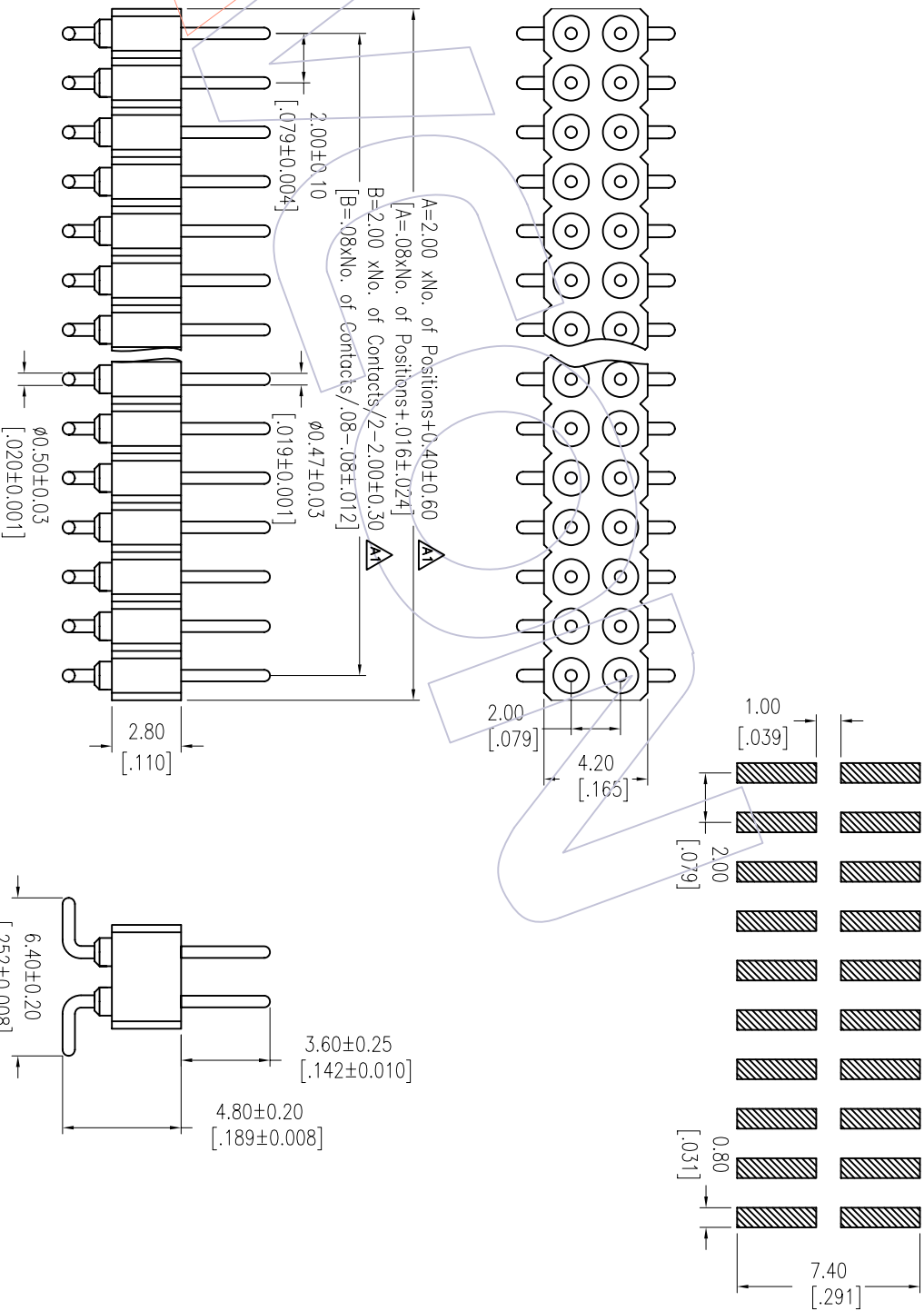
Current Rating:3.0AMP
 Contact Resistance:10mΩ Max
 Dielectric Strength: Min 1000Vrms
 Mechanical Life: Min 500 cycles
 Operation Temperature:-40°C to +105°C

Sleeve:Brass CuZn36Pb3(C356000)
 Connecting Pin:Ø.47mm
 Contact plating:Au or Sn over Ni
 Insulator Material:PPS+30%G.F.(UL94V-0)
 Coplanarity SMD terminations:max 0.1mm
 (measured on 25mm long connectors)

Ordering Information

3512-282 XX M XX 100 X 1

No. of Pin
 2-40PIN
 Contact Plating
 G0=Gold Flash
 G3=10u"Gold
 G4=15u"Gold
 G5=30u"Gold
 SN=Tin
 Packing
 T=Tube



Recommended P.C.B Layout(Top Side)
 (PCB BOARD TOLERANCE±0.05)

OPERATION	DRAW	DATE	SCALE	FIT	PART NO.
X.X	m/y	2012/01/03	UNIT	mm	3512-282XXMXX1 00X1
CHECK	CHECK	DATE	SIZE	A4	TITLE:
X.XXX	X.XXX		SHEET	1/1	2.00mm MACHINED PIN HEADER
ANGLE	APPROVE	DATE	PROJ.		DIAL ROW 180° SMT H=2.80 L=10.0
± 3'					Customer NO.
± 0.15					
CHANGE					
MODIFICATION DESCRIPTION					
NEW					
Modify drawing					
12/01/03					
09/02/26					
DATE					
REV					



WCON-Dongguan
 Http: www.wcon.com
 WCON-Kunshan
 Tel: +86 769 85358920
 Tel: +86 512 57468408
 Fax: +86 769 85358915
 Fax: +86 512 57468468
 E-mail: sales@wcon.com
 E-mail: wconks@wcon.com