

HSF

NOTES:

Current Rating: 3.0AMP
 Contact Resistance: 20mΩ Max
 Withstand Voltage: 1000V AC/DC
 Insulation Resistance: 1000MΩ Min
 Operation Temperature: -40°C to +105°C

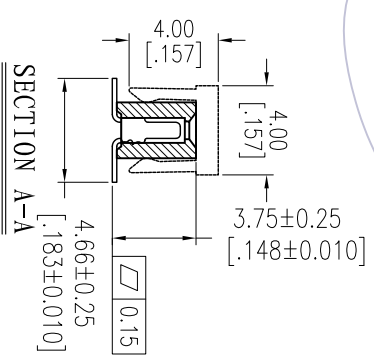
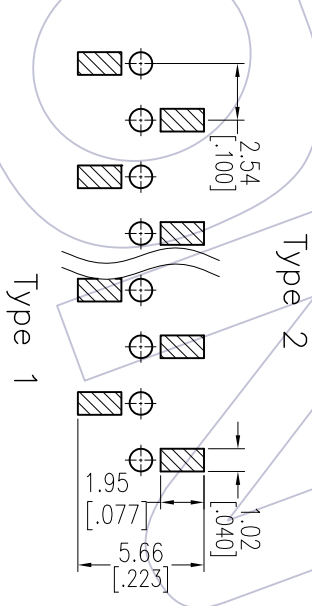
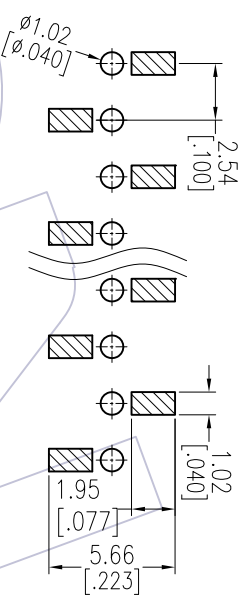
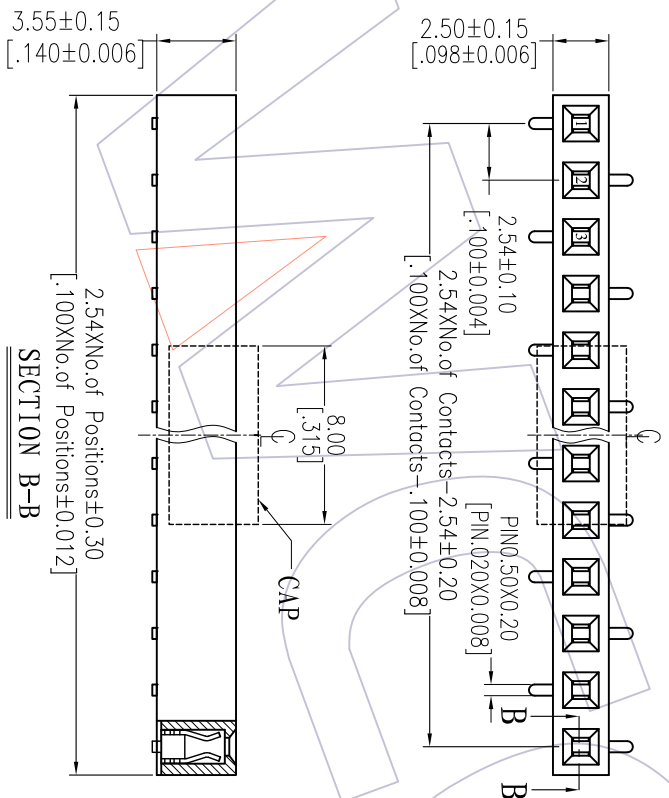
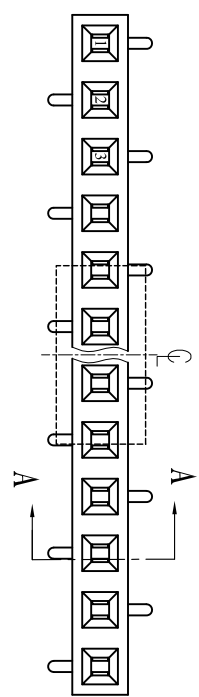
Contact Material: Phosphor Bronze
 Contact plating: Au Or Sn over Ni
 Insulator Material: PA9T+30%G.F UL94V-0

Ordering Information

2135 - 1 XX M XX CUN X X

No. of Pins per Row: 42-PIN
 Contact Plating: G0=Gold Flash, G3=10μ"Gold, G4=15μ"Gold, G5=30μ"Gold, S0=Gold Flash/Tin, S3=10μ"Gold/Tin, S4=15μ"Gold/Tin, S5=30μ"Gold/Tin, SN=Tin, SM=Matte Tin
 Packing: T=Tube, P=Tube+CAP, R=Tape&Reel+CAP
 Series No. 1=TYPE 1, 2=TYPE 2

Item	Pitch	Mating
Standard	2.54	1115/1120/1125
Alternate		



TITLE	PART NO.
TYPE 1	2135-1XXMXXCUNX1
TYPE 2	2135-1XXMXXCUNX2

Recommended P.C.B Layout(Top Side)
 (PCB BOARD TOLERANCE±0.05)

REV	DATE	MODIFICATION DESCRIPTION
A0	2012/08/02	NEW

OPERATION	DRAW	DATE	SCALE	FIT	PART NO.
XX	JHuang	2012/08/02	mm		SBE TABLE
XX	CHECK	DATE	SIZE	A4	TITLE:
XX	Angle	± 3°	SHEET	1/1	PH2.54mm SINGLE ROW 180° DIP
XX	APPROVE	DATE	PROJ.		Customer NO.

WCON

Http: www.wcon.com
 WCON-Dongguan Tel: +86 769 85358920
 WCON-Kunshan Tel: +86 512 57468408
 Fax: +86 769 85358915
 E-mail: sales@wcon.com
 Fax: +86 512 57468468
 E-mail: sales@wcon.com