



Recommended P.C.B Layout(Top Side)
(PCB BOARD TOLERANCE±0.05)

TECHNICAL SPECS:

Current Rating: 3.0AMP
 Contact Resistance: 10m Ω Max
 Dielectric Strength: Min 1000VRMS
 Mechanical Life: Min 500 cycles
 Operation Temperature: -40°C to +105°C

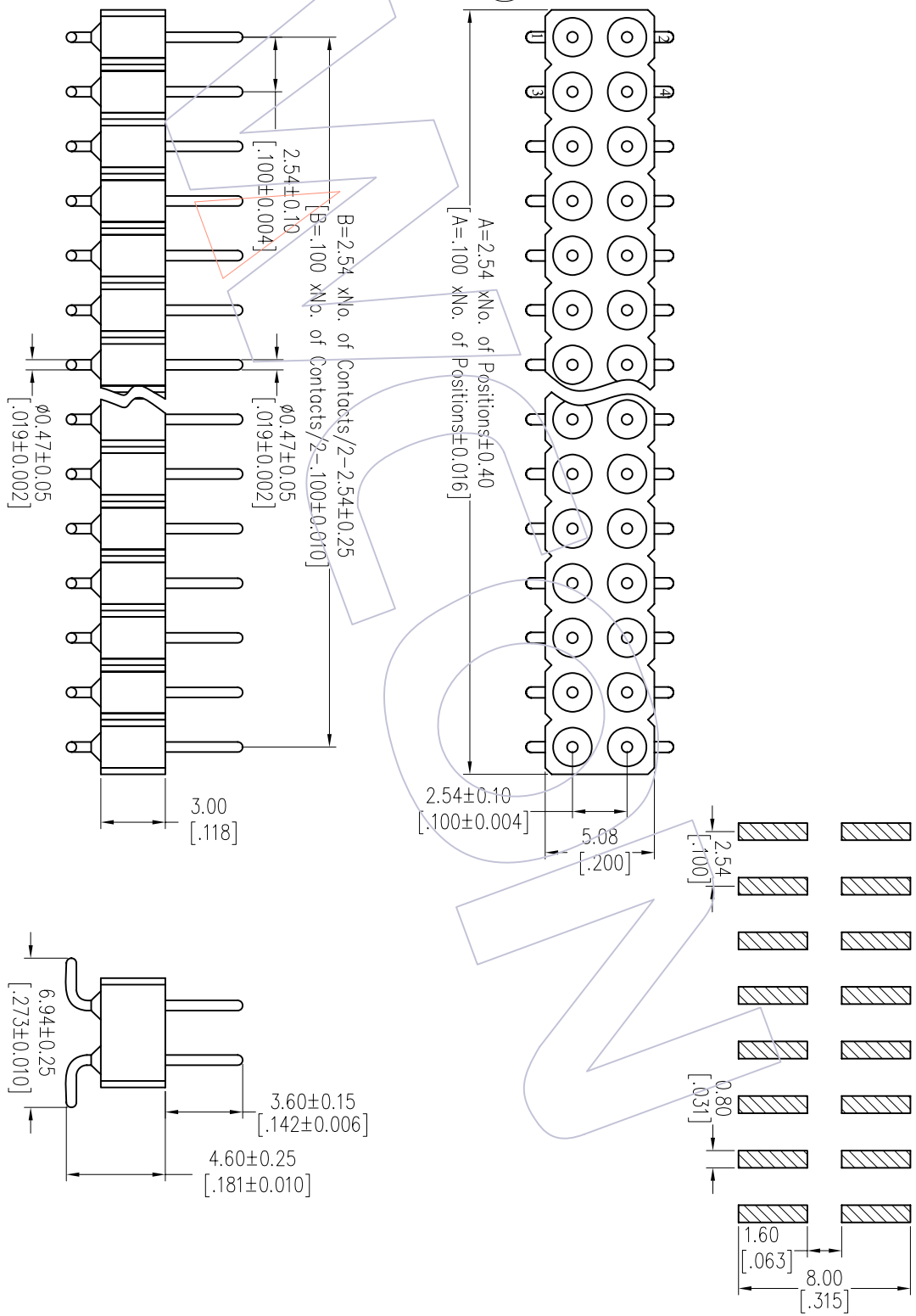
Sleeve: Brass CuZn36Pb3(C36000)
 Contact plating: Au over Ni
 Connecting Pin: φ0.47mm
 Insulator Material: PPS+30%G.(UL94V-0)

Ordering Information

3510-302 XX M XX 100 X 1

No. of Pin: 2-50PIN
 Contact Plating: G0=Gold Flash, G3=10u"Gold, G4=15u"Gold, G5=30u"Gold
 Packing: T=Tube, A=Tray, R=Tray&Reel

Item	Pitch	Mating
Standard	2.54	3520
Alternate		



OPERATION		DRAW		DATE		SCALE		FIT		PART NO.	
XX	±0.40	JYHuang		2012/10/22		mm				3510-302XXMXX100X1	
X.XX ±0.25		CHECK		DATE		A4				TITLE: 2.54mm MACHINED PIN HEADER DUAL ROW 180° SMT H=3.00 L=10.0	
X.XXX ±0.15		APPROVE		DATE		1/1				Customer NO.	
Angle	± 3'	PROJ.									
REV	DATE	MODIFICATION DESCRIPTION		CHANGE	DIM	TOL					
A0	2012/10/22	NEW									
<p>WCON-Dongguan Http: www.wcon.com WCON-Kunshan</p> <p>Tel: +86 769 85358920 Tel: +86 512 57468408</p> <p>Fax: +86 769 85358915 Fax: +86 512 57468468</p> <p>E-mail: sales@wcon.com E-mail: sales@wcon.com</p>											