

HSF

TECHNICAL SPECS:

Current Rating: 3.0AMP
 Contact Resistance: 10m Ω Max
 Dielectric Strength: Min 1000V/RMS
 Mechanical Life: Min 500 cycles
 Mating Pin: $\phi 0.40$ to $\phi 0.56$ mm
 Forces: (polished steel gauge $\phi 0.47$ mm)
 Insertion: 200g Max/Pin, Withdrawal: 60g Min/Pin
 Operation Temperature: -40°C to $+105^{\circ}\text{C}$

Sleeve: Brass CuZn36Pb3(C36000)
 Contact Clip (4 finger): BeCu(C17200)
 Insulator Material: PPS+30%G.F(UL94V-0)

Ordering Information

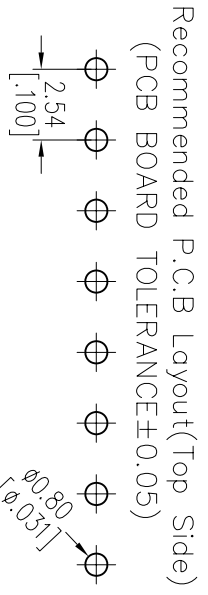
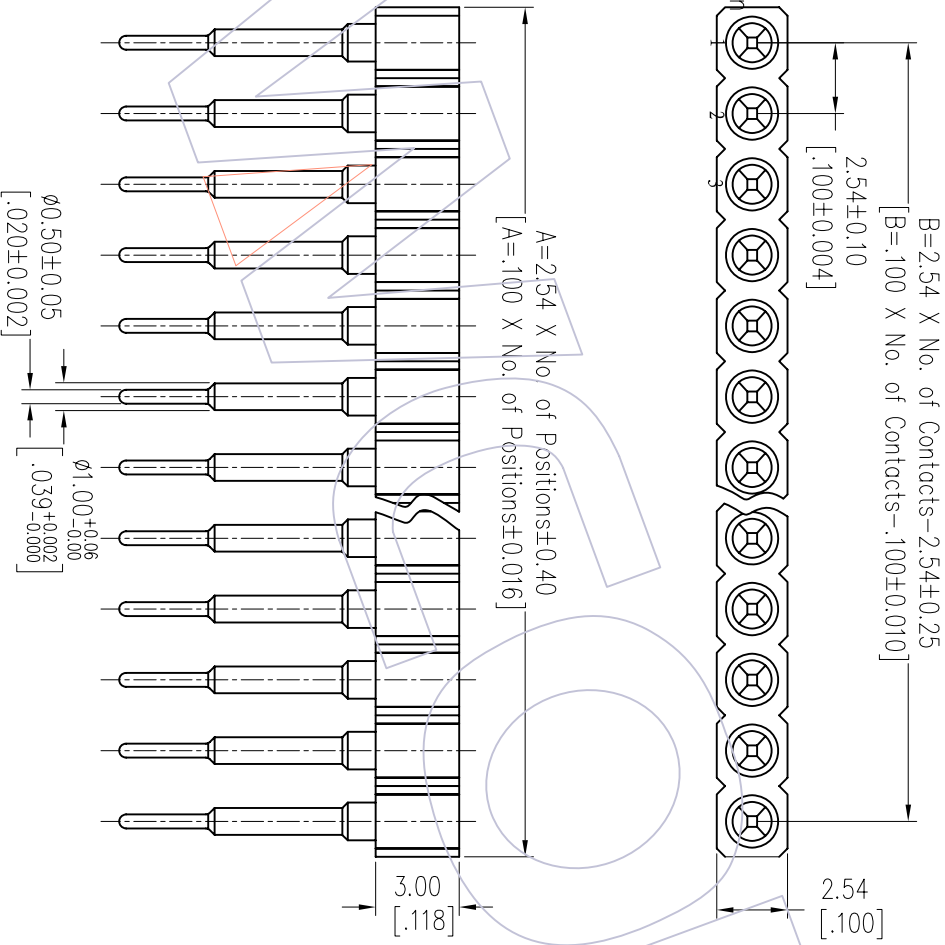
3520-301 XX S SX XXX X 1

No. of Pin
2-50PIN

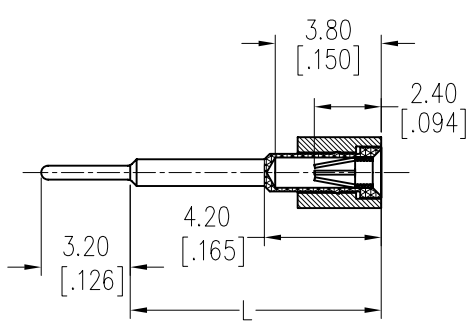
Contact Plating
 S0=Gold Flash/Tin
 S3=10u"Gold/Tin
 S4=15u"Gold/Tin
 S5=30u"Gold/Tin
 SN=Tin

Packaging
 A=Tray
 T=Tube

Item	Pitch	Mating
Standard	2.54	3510
Alternate		



Pin Long Code:XXX	Dim" L"	Part No.
102	7.0	3520-301XXSSX102X1
112	8.0	3520-301XXSSX112X1
122	9.0	3520-301XXSSX122X1
132	10.0	3520-301XXSSX132X1
142	11.0	3520-301XXSSX142X1
152	12.0	3520-301XXSSX152X1
162	13.0	3520-301XXSSX162X1
182	15.0	3520-301XXSSX182X1



OPERATION		DRAW		DATE		SCALE		PART NO.	
XX	±0.40	JYHuang		2012/10/18		UNIT	mm	3520-301XXSSXXXXX1	
XX	±0.25	CHECK		DATE		SIZE	A4	TITLE: 2.54mm MACHINED FEMALE HEADER SINGLE ROW 180° H=3.00	
X.XXX	±0.15	Angle	± 3'	DATE		SHEET	1/1	Customer NO.	
REV	DATE	MODIFICATION DESCRIPTION	CHANGE DIM	TOL	APPROVE	PROJ.			
A0	2012/10/18	NEW							

WCON

Http: www.wcon.com

WCON-Dongguan Tel: +86 769 85358920 Fax: +86 769 85358915 E-mail: sales@wcon.com

WCON-Kunshan Tel: +86 512 57468408 Fax: +86 512 57468468 E-mail: sales@wcon.com