

HSF

TECHNICAL SPECS:

Current Rating: 3.0AMP
 Contact Resistance: 10m Ω Max
 Dielectric Strength: Min 1000Vrms
 Mechanical Life: Min 500 cycles
 Mating Pin: $\phi 0.40$ to $\phi 0.66$ mm or 0.50SQ
 Forces: (polished steel gauge $\phi 0.47$ mm)
 Insertion: 200g Max/Pin, Withdrawal: 60g Min/Pin
 Operation Temperature: -40°C to +105°C

Sleeve: Brass CuZn36Pb3(C36000), Sn over Ni
 Contact Clip(4 finger): BeCu(C17200), Au or Sn over Ni
 Insulator Material: PPS+30%G.F.(UL94V-0)

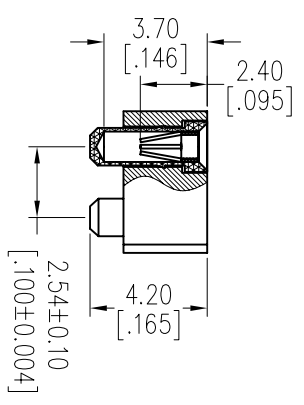
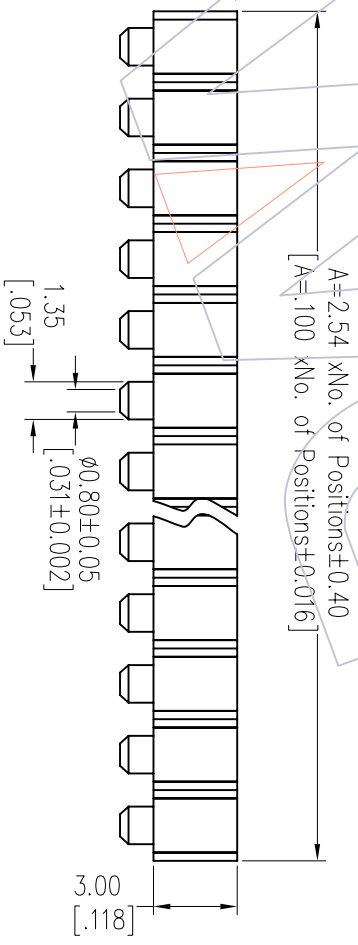
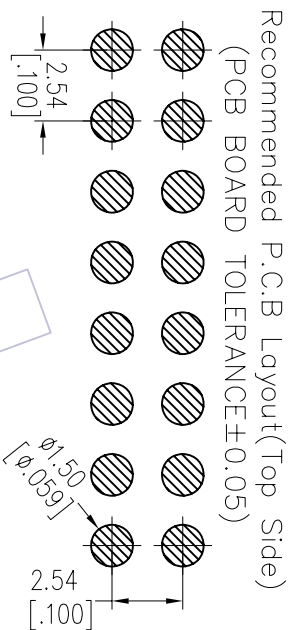
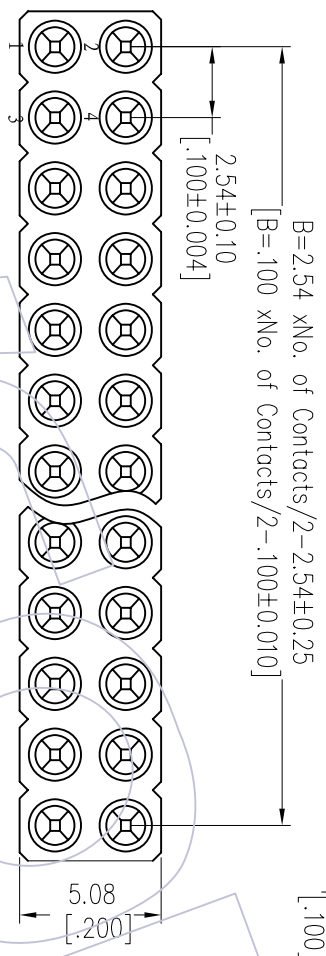
Ordering Information

3520-302 XX M XX 042 X 1

No. of Pin
2-50PIN

Contact Plating
S0=Gold Flash/Tin
S3=10u"Gold/Tin
S4=15u"Gold/Tin
S5=30u"Gold/Tin
SN=Tin

Packing
A=Tray
T=Tube
R=Tap&Reel



Item	Pitch	Mating
Standard	2.54	3510
Alternate		

OPERATION	DRAW	DATE	SCALE	FIT	PART NO.
XX	JYHuang	2012/10/18	UNIT	mm	3520-302XXMX042X1
XX	CHECK	DATE	SIZE	A4	TITLE: 2.54mm MACHINED FEMALE HEADER DUAL ROW SMT H=3.00 L=4.2
X.XXX	±0.15	ANGLE	± 3'	APPROVE	DATE
CHANG	DIM	TOL	PROJ.	Customer NO.	
REV	DATE	MODIFICATION DESCRIPTION			
A0	2012/10/18	NEW			

WCON

Http: www.wcon.com

WCON-Dongguan
 Tel: +86 769 85358920
 Fax: +86 769 85358915
 E-mail: sales@wcon.com

WCON-Kunshan
 Tel: +86 512 57468408
 Fax: +86 512 57468468
 E-mail: sales@wcon.com