

HSF

TECHNICAL SPECS:

- Current Rating: 3.0AMP
- Contact Resistance: 10m Ω Max
- Dielectric Strength: Min 1000Vrms
- Mechanical Life: Min 500 cycles
- Operation Temperature: -40°C to +105°C
- Sleeve: Brass CuZn36Pb3(C36000)
- Contact plating: Au over Ni
- Connecting Pin: ϕ 0.76mm
- Insulator Material: PPS+30%G.(UL94V-0)

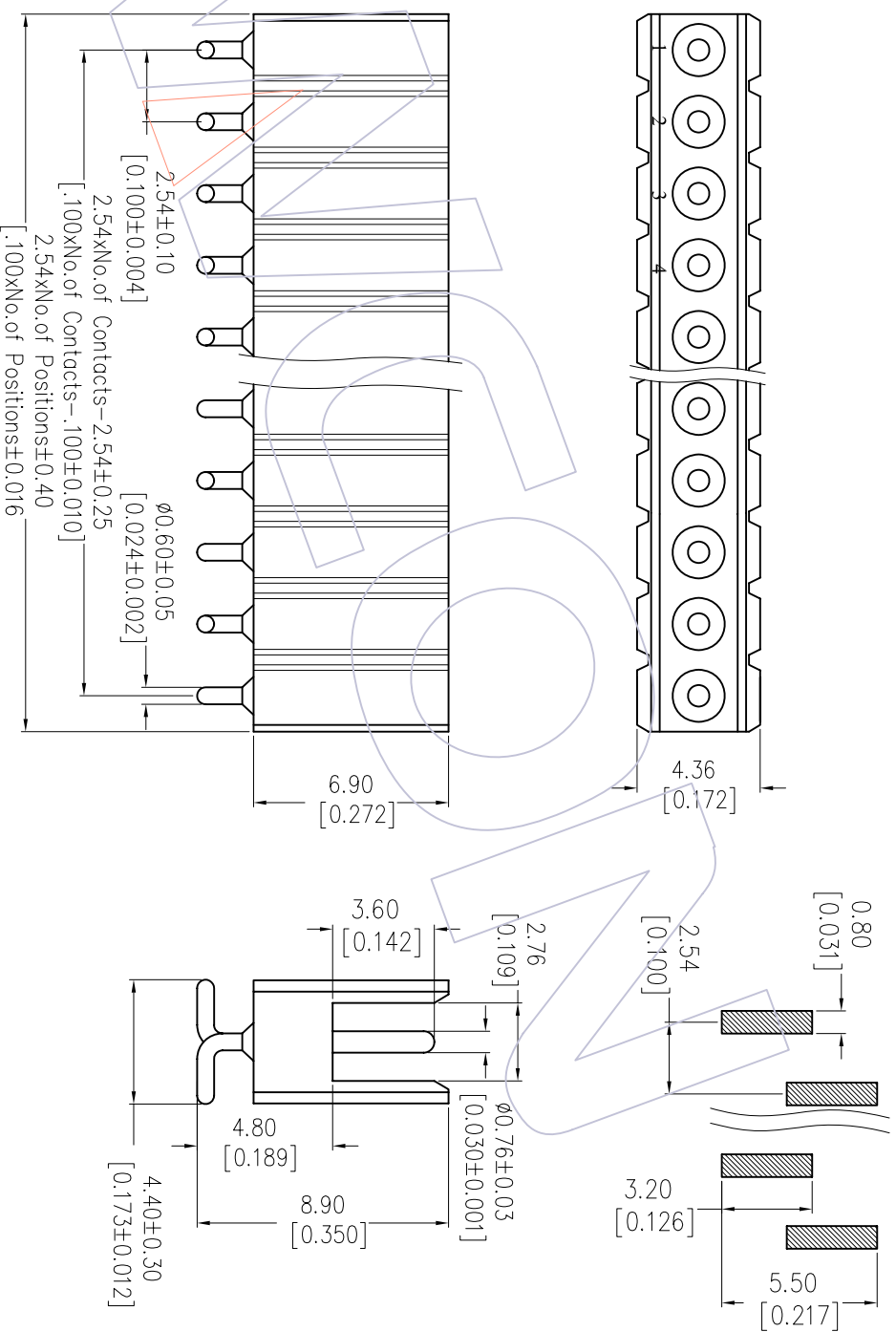
Ordering Information

3511-691 XX M XX 098 X 1

No. of Pins per Row: 02-96Pin

Contact Plating:
 G0=Gold Flash
 G3=10u"Gold
 G4=15u"Gold
 G5=30u"Gold

Packing:
 T=Tube
 A=Tray



Recommended P.C.B Layout(Top Side)
 (PCB BOARD TOLERANCE \pm 0.05)

OPERATION	DRAW	DATE	SCALE	FIT	PART NO.
XX	JYHuang	2012/10/23	UNIT	mm	3511-691XXMX098X1
X.XX	CHECK	DATE	SIZE	A4	TITLE: 2.54mm MACHINED PIN HEADER
X.XXX	±0.15	DATE	SHEET	1/1	SINGLE ROW SMT H=6.90 L=9.80
Angle	± 3'	DATE	PROJ.		Customer NO.
DIM	TOL	DATE			
CHANGE		DATE			

REV	DATE	MODIFICATION DESCRIPTION	CHANGE
A0	2012/10/23	NEW	

Http: www.wcon.com WCON-Dongguan Tel: +86 769 85358920 Fax: +86 769 85358915 E-mail: sales@wcon.com	WCON-Kunshan Tel: +86 512 57468408 Fax: +86 512 57468468 E-mail: sales@wcon.com