

HSF

TECHNICAL SPECS:

Current Rating: 3.0AMP
 Contact Resistance: 10m Ω Max
 Dielectric Strength: Min 1000VRMS
 Mechanical Life: Min 500 cycles
 Operation Temperature: -40°C to +105°C

Sleeve: Brass CuZn36Pb3(C36000)
 Connecting Pin: Ø0.76mm
 Contact plating: Au over Ni
 Insulator Material: PPS+ 30%G.F.(UL94V-0)

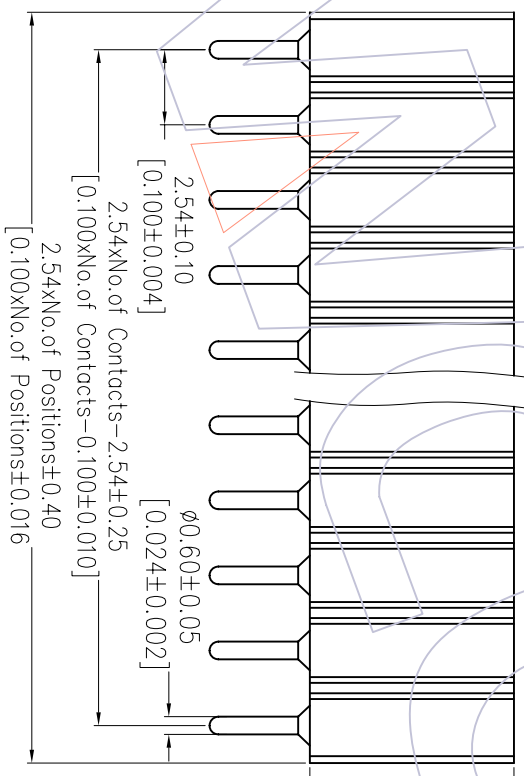
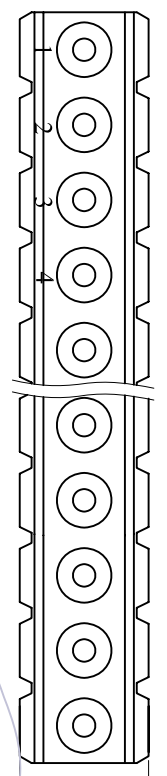
Ordering Information

3511-691 XX S XX 098 X 1

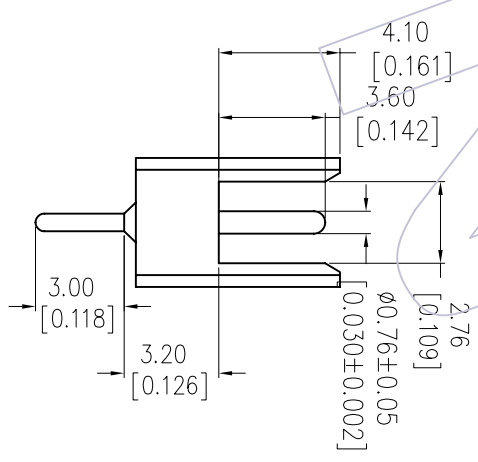
No. of Pins per Row: 02-96Pin

Contact Plating:
 G0=Gold Flash
 G3=10u"Gold
 G4=15u"Gold
 G5=30u"Gold

Packing:
 T=Tube
 A=Tray



Recommended P.C.B Layout(Top Side)
 (PCB BOARD TOLERANCE±0.05)



OPERATION	±0.40	DRAW	JYHuang	DATE	2012/10/23	SCALE	FIT	PART NO.	3511-691.XXSXX098X1
X.XX	±0.25	CHECK		DATE		UNIT	mm	TITLE:	2.54mm MACHINED PIN HEADER
X.XXX	±0.15	APPROVE		DATE		SIZE	A4	SINGLE ROW 180° H=6.90 L=9.80	
Angle	± 3°	PROU.				SHEET	1/1	Customer' NO.	
REV	DATE	MODIFICATION DESCRIPTION	CHANGE	DIM	TOL				
A0	2012/10/23	NEW							

WCON

Http: www.wcon.com

WCON-Dongguan
 Tel: +86 769 85358920
 Fax: +86 769 85358915
 E-mail: sales@wcon.com

WCON-Kunshan
 Tel: +86 512 57468408
 Fax: +86 512 57468468
 E-mail: sales@wcon.com