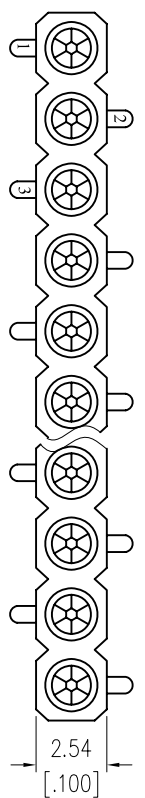


# HSF

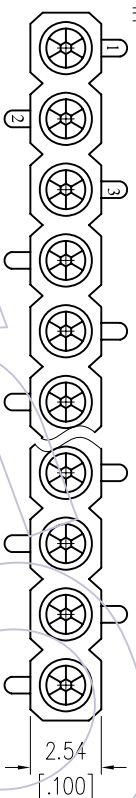
## TECHNICAL SPECS:

Current Rating: 3.0AMP  
 Contact Resistance: 10m Ω Max  
 Dielectric Strength: Min 1000Vrms  
 Mechanical Life: Min 500 cycles  
 Mating Pin:  $\phi 0.7$  to  $\phi 0.9$ mm or 0.635SQ  
 Forces: (polished steel gauge  $\phi 0.76$ mm)  
 Insertion: 150g Max/Pin, Withdrawal: 30g Min/Pin  
 Operation Temperature: -40°C to +105°C

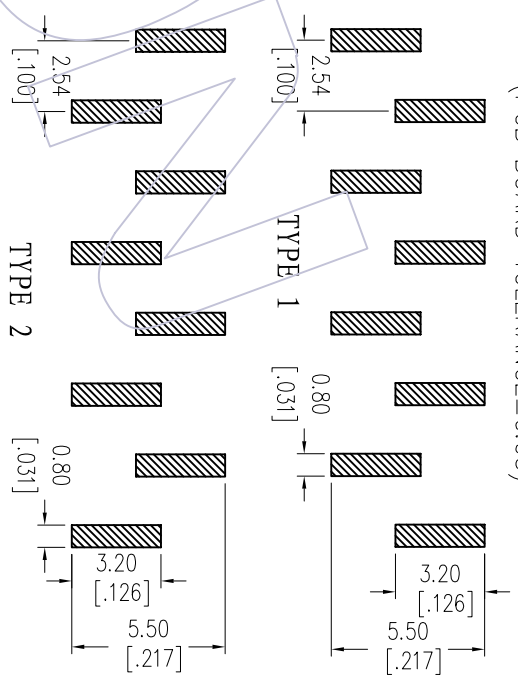
Sleeve: Brass CuZn36Pb3(C36000)  
 Contact Clip(6 finger): BeCu(C17200)  
 Insulator Material: PPS+30%G.F(UL94V-0)



TYPE 1



TYPE 2



Recommended P.C.B Layout(Top Side)  
 (PCB BOARD TOLERANCE±0.05)

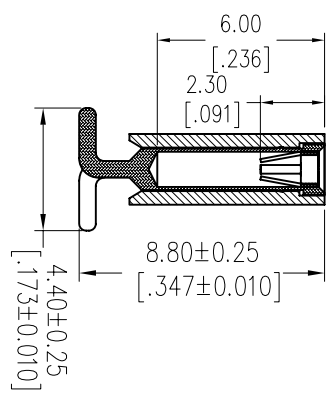
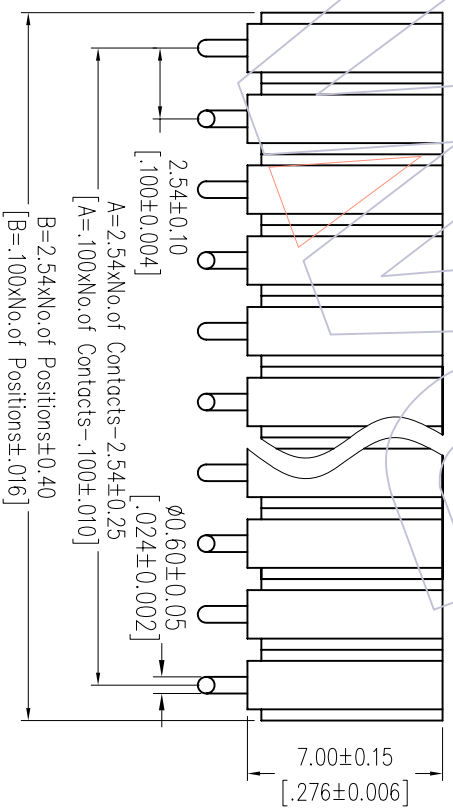
## Ordering Information

3521-701 XX M XX 104 X X

No. of Pin 2-50PIN  
 Contact Plating SO=Gold Flash/Tin T=Tube  
 S3=10u"Gold/Tin R=Tab&Reel  
 S4=15u"Gold/Tin  
 S5=30u"Gold/Tin  
 SN=Tim

Packing 1=Type 1  
 2=Type 2

Series No.



Item	Pitch	Mating
Standard	2.54	3511
Alternate		

OPERATION	DRAW	DATE	SCALE	FIT	PART NO.
XX	JYHuang	2012/10/18	UNIT	mm	3521-701XXMXX104XX
XX	CHECK	DATE	SIZE	A4	TITLE:
XX	APPROVE	DATE	SHEET	1/1	2.54mm MACHINED FEMALE HEADER SINGLE ROW SMT H=7.00 L=10.4
XX	ANGLE	± 3°	PROU.		Customer NO.
XX	DIM	TOL			
REV	DATE	MODIFICATION DESCRIPTION	CHANGE		
A0	2012/10/18	NEW			

# WCON

Http: www.wcon.com

WCON-Dongguan  
 Tel: +86 769 85358920  
 Fax: +86 769 85358915  
 E-mail: sales@wcon.com

WCON-Kunshan  
 Tel: +86 512 57468408  
 Fax: +86 512 57468468  
 E-mail: sales@wcon.com