



NOTES:

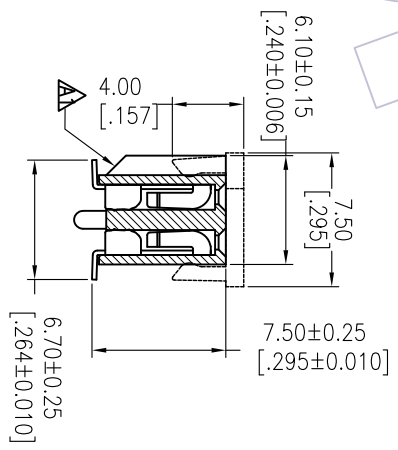
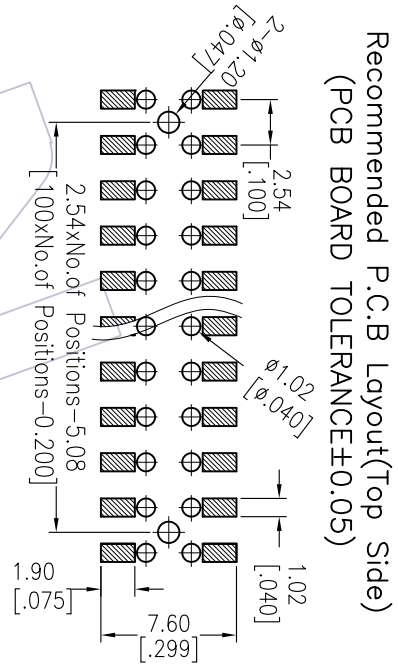
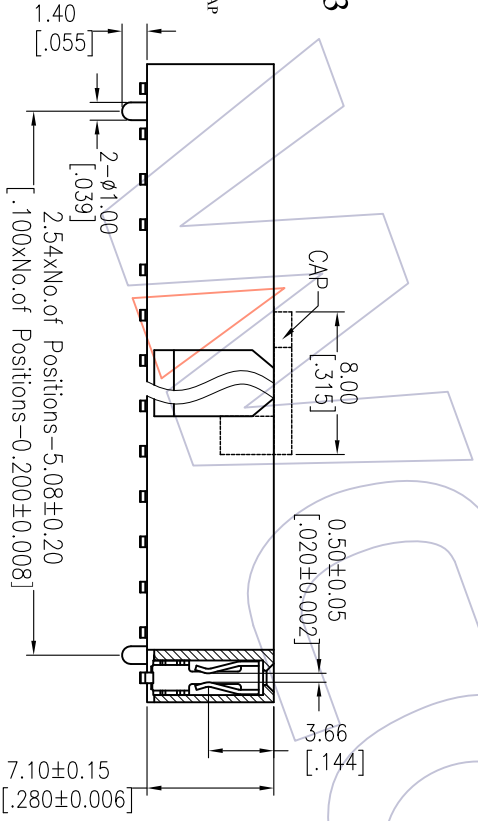
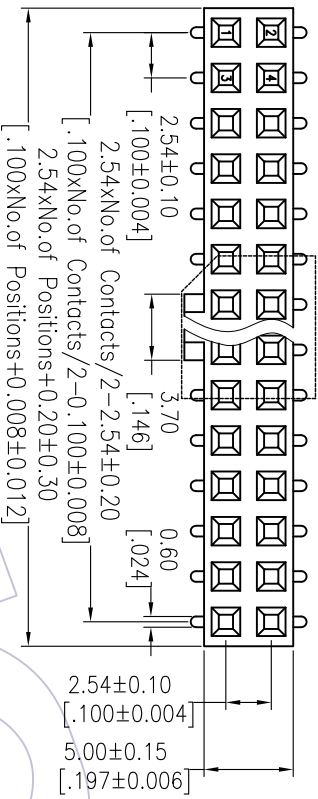
- Current Rating: 3.0AMP
- Contact Resistance: 20mΩ Max
- Withstand Voltage: 1000V AC/DC
- Insulation Resistance: 1000MΩ Min
- Operation Temperature: -40°C to +105°C
- Contact Material: Phosphor Bronze
- Contact plating: Au Or Sn over Ni
- Insulator Material: PA9T+30%G.F UL94V-0

Ordering Information

2171-2 XX M XX C U N X 3

- No. of Pins per Row: 02-40PIN
- Contact Plating: G0=Gold Flash, G3=10μ"Gold, G4=15μ"Gold, G5=30μ"Gold
- S0=Gold Flash/Tin, S3=10μ"Gold/Tin, S4=15μ"Gold/Tin, S5=30μ"Gold/Tin
- SN=Tin, SM=Matte Tin
- Packaging: T=Tube, P=Tube+CAP, R=Tape&Reel+CAP

Item	Pitch	Mating
Standard	2.54	1115/1120/1125
Alternate		



REV	DATE	MODIFICATION DESCRIPTION	CHANGE	OPERATION	DRAW	DATE	SCALE	FIT	PART NO.	TITLE:	Customer NO.
A0	2012/08/13	NEW	---	X.XXX	Wang	2013/12/10	mm	A4	2171-2XXMXXCUNX3	PHI.54 DUAL ROW SMT H=7.1 WITH BUMP AND POST	
A1	2013/12/10	modify drawing	---	X.XXX	CHECK	DATE	mm	A4			
REV	DATE	MODIFICATION DESCRIPTION	CHANGE	OPERATION	DRAW	DATE	SCALE	FIT	PART NO.	TITLE:	Customer NO.
				---	---	---	---	---	---	---	---



Http: www.wcon.com
 WCON-Dongguan Tel: +86 769 85358920 Fax: +86 769 85358915 E-mail: sales@wcon.com
 WCON-Kunshan Tel: +86 512 57468408 Fax: +86 512 57468468 E-mail: sales@wcon.com