

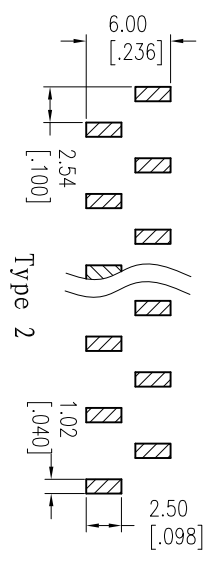
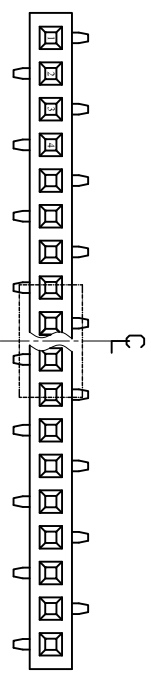
HSF

NOTES:

Current Rating: 3.0AMP
 Contact Resistance: 20mΩ Max
 Withstand Voltage: 1000V AC/DC
 Insulation Resistance: 1000MΩ Min
 Operation Temperature: -40°C to +105°C

Contact Material: Phosphor Bronze
 Contact plating: Au Or Sn over Ni
 Insulator Material: PA9T+30%G.F UL94V-0

Recommended P.C.B Layout(Top Side)
 (PCB BOARD TOLERANCE±0.05)



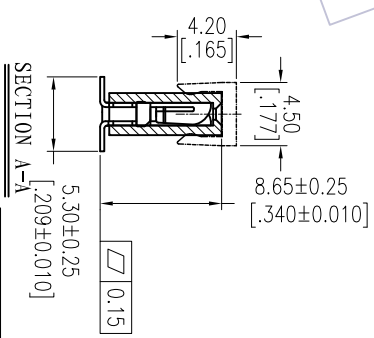
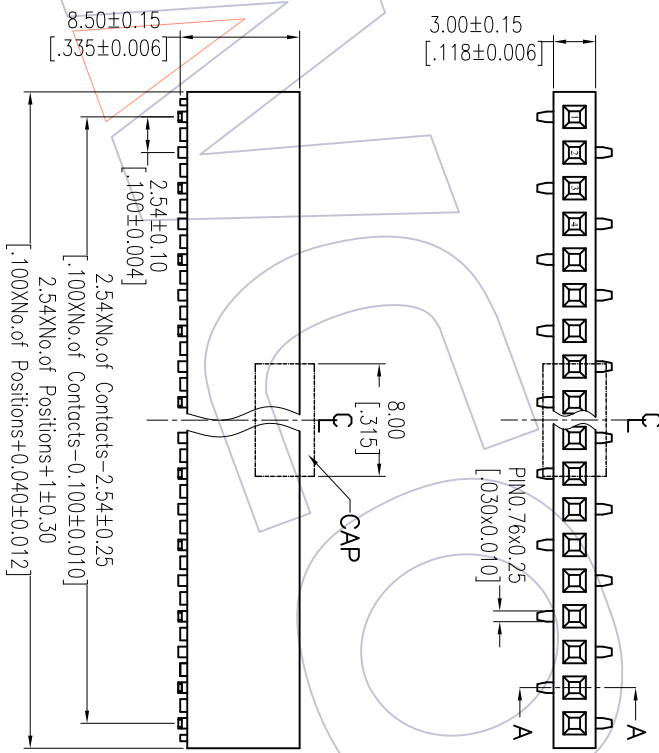
Ordering Information

2185 - 1 XX M XX CUN T X

No. of Pins per Row: 42-40PIN
 Contact Plating:
 G0=Gold Flash
 G3=100"Gold
 G4=15μ"Gold
 G5=30μ"Gold
 S0=Gold Flash/Tin
 S3=10μ"Gold/Tin
 S4=15μ"Gold/Tin
 S5=30μ"Gold/Tin
 SN=Tin
 SM=Matte Tin

Packing:
 T=Tube
 P=Tube+CAP
 R=Tube&Reel+CAP

Series No.
 1=TYPE 1
 2=TYPE 2



Item	Pitch	Mating
Standard	2.54	1115/1120/1125
Alternate		

TITLE	PART NO.
TYPE 1	2185-1XXMXXCUNT1
TYPE 2	2185-1XXMXXCUNT2

OPERATION	DRAW	DATE	SCALE	FIT	PART NO.
XX	JHuang	2012/08/15	mm		SBB TABLE
XX	CHECK	DATE	UNIT	mm	TITLE: FH2.54 SINGLE ROW 180° SMT H=8.50
X.XXX	±0.15	DATE	SIZE	A4	Customer NO.
Angle	± 3'	APPROVE	SHEET	1/1	
DIM	TOL	PROJ.			
CHANGE					

WCON
 Http: www.wcon.com

WCON-Dongguan
 Tel: +86 769 85358920
 Fax: +86 769 85358915
 E-mail: sales@wcon.com

WCON-Kunshan
 Tel: +86 512 57468408
 Fax: +86 512 57468468
 E-mail: sales@wcon.com