



**TECHNICAL SPECS:**

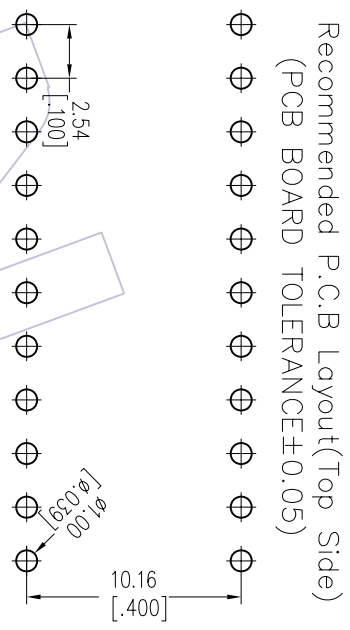
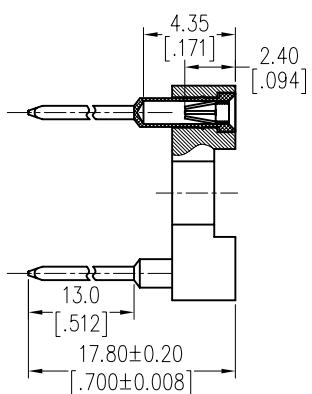
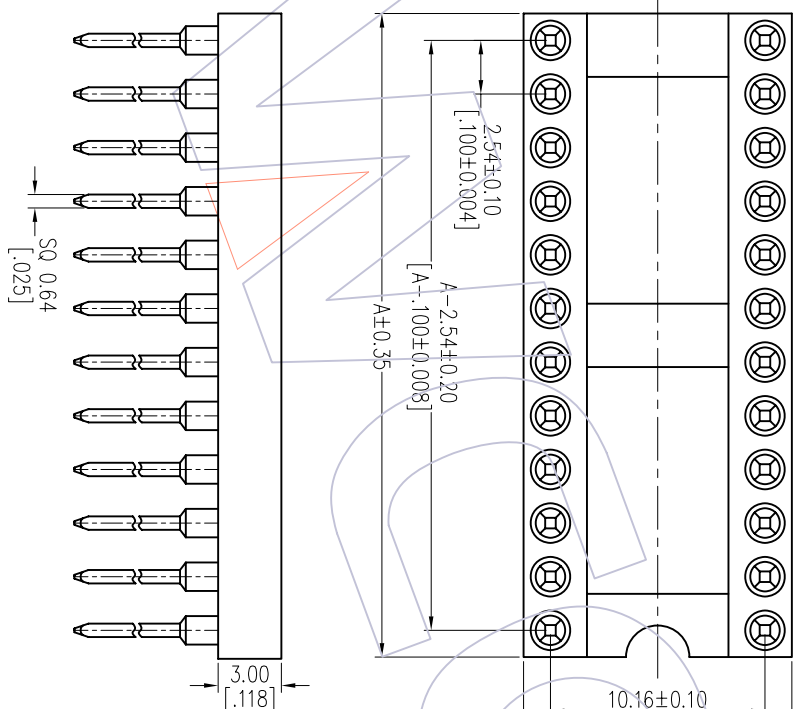
Current Rating: 1.0AMP  
 Contact Resistance: 10m Ω Max  
 Dielectric Strength: Min 1000Vrms  
 Mechanical Life: Min 100 cycles  
 Mating Pin: φ0.40 to φ0.56mm  
 Forces: (polished steel gauge φ0.45mm)  
 Insertion: 200g Max/Pin, Withdrawal: 60g Min/Pin  
 Operation Temperature: -40°C to +105°C

Sleeve: Brass CuZn36Pb3(C36000), Sn over Ni  
 Contact Clip (4 finger): BeCu (C17200), Au or Sn over Ni  
 Insulator Material: PPS+30%GF (UL94V-0)

**Ordering Information**

7110-303 XX S XX 178 X 1

Row of Pitch No. of Pin Contact Plating Packing  
 3=10.16mm See tab S0=Gold Flash/Tin T=Tube  
 S3=10μ"Gold/Tin  
 S4=15μ"Gold/Tin  
 S5=30μ"Gold/Tin  
 SN=Tin



Recommended P.C.B Layout (Top Side)  
 (PCB BOARD TOLERANCE ±0.05)

**Dimensional & Ordering Information**

NO. of Poles	Part No.	Dim A
20	7110-30320SXX178X1	25.40
22	7110-30322SXX178X1	27.94
24	7110-30324SXX178X1	30.48
28	7110-30328SXX178X1	35.56
32	7110-30332SXX178X1	40.64



Http: www.wcon.com

WCON-Dongguan Tel: +86 769 85358920 Fax: +86 769 85358915 E-mail: sales@wcon.com  
 WCON-Kunshan Tel: +86 512 57468408 Fax: +86 512 57468468 E-mail: sales@wcon.com

REV	DATE	MODIFICATION DESCRIPTION	CHANGE
A0	2012/11/02	NEW	

OPERATION	DRAW	DATE	SCALE	FIT
XX	JYHuong	2012/11/02	UNIT	mm
XX	CHECK	DATE	SIZE	A4
XX	APPROVE	DATE	SHEET	1/1
Angle	± 3'	PROJ.		

PART NO.	7110-303XXSXX178X1
TITLE:	IC SOCKET 180° H=3.0 L=17.8 SQUARE PIN Row of Pitch 10.16
CUSTOMER NO.	

1 2 3 4 5 6 7 8 9 10